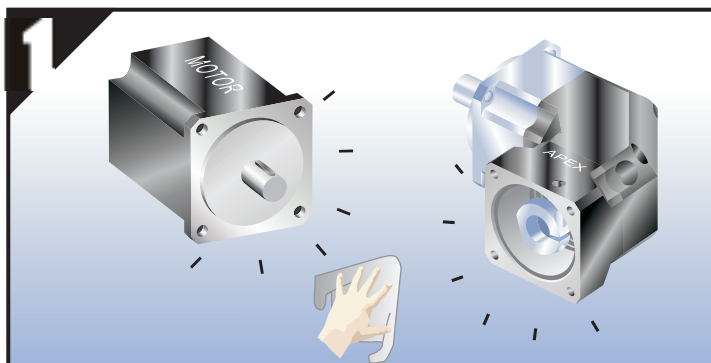
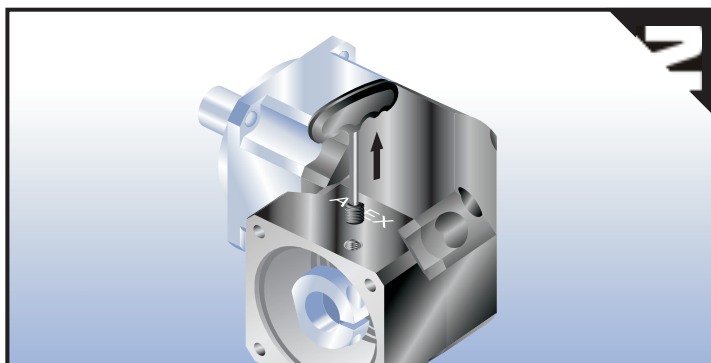




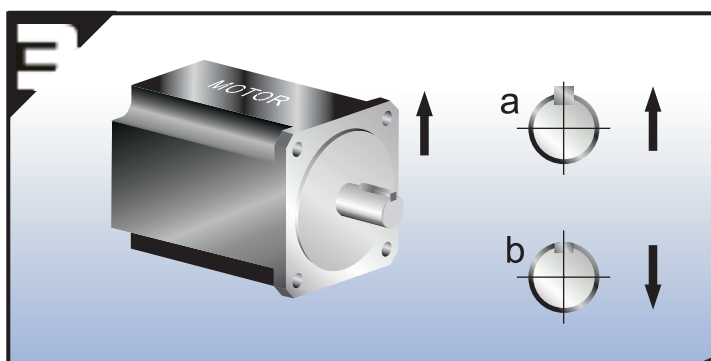
# MOUNTING INSTRUCTION



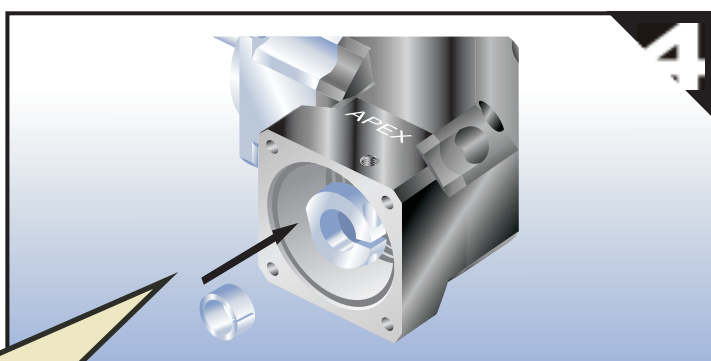
Double-check the motor and gearbox size.  
Clean the mounting surface.



Remove the plug on the adapter plate.  
Rotate the set collar till the bolt is line up.



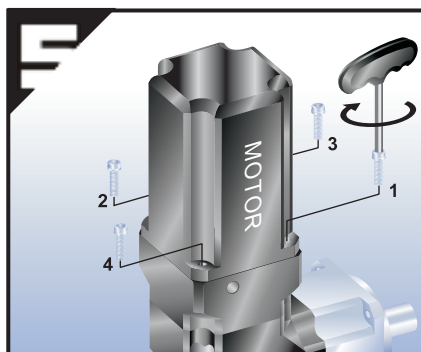
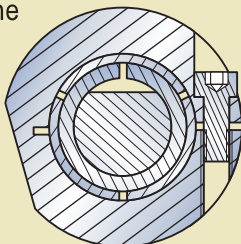
a. Remove motor key.  
b. Insert balance key.



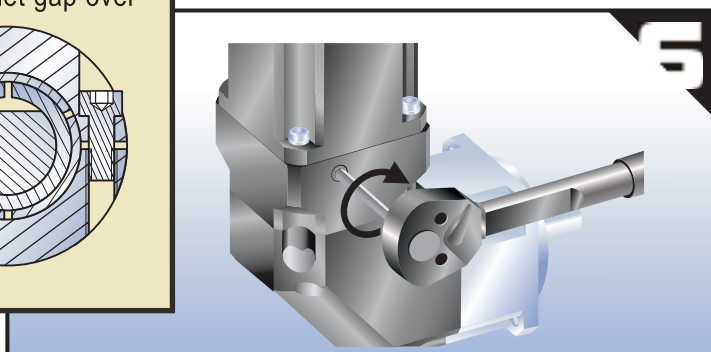
Check motor shaft size and  
insert bushing if necessary.

### Correct installation.

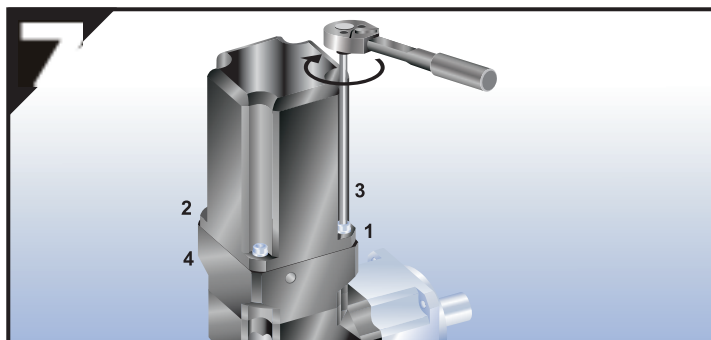
When installing on **flatted shafts**, be sure to align the collet gap over the flat and the set collar bolt perpendicular to the flat.



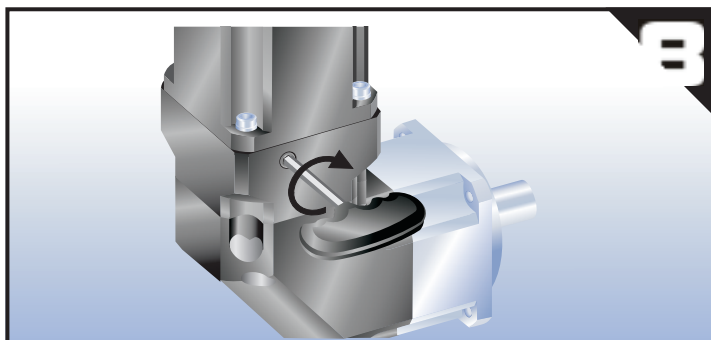
Set at vertical position. Tighten the mounting bolts (including washer) in 1~4 order with wrench to 5% specified torque. (See Table 1)



Tighten the set collar bolt with torque wrench to specified torque. (See Table 2)



Tighten the mounting bolts in 1~4 order with torque wrench to specified torque. (See Table 1)



Tighten back the screw plug.

**Table 1 Tightening Torque Recommended for Motor Mounting Bolt**

Bolt Size	Width Across Flats	Strength 8.8 Tightening Torque		Strength 10.9 Tightening Torque		Strength 12.9 Tightening Torque	
	[mm]	[Nm]	[In-lbs]	[Nm]	[In-lbs]	[Nm]	[In-lbs]
M3 x 0.5P	2.5	1.3	12	1.8	16	2.1	19
M4 x 0.7P	3	3	27	4.1	37	4.9	44
M5 x 0.8P	4	6.1	55	8.2	73	9.8	87
M6 x 1P	5	11	98	14	124	17	151
M8 x 1.25P	6	25	222	34	302	41	364
M10 x 1.5P	8	49	434	67	594	80	709
M12 x 1.75P	10	85	753	116	1028	139	1232
M14 x 2P	12	137	1214	186	1648	223	1976
M16 x 2P	14	210	1860	286	2534	343	3038

**Table 2 Tightening Torque Recommended for Set Collar Bolt**

Gearbox Size		Motor Shaft Dia.	Bolt Size	Width Across Flats	Tightening Torque	
		[mm]			[mm]	[Nm]
ABR042 AFR042 AER050	1 stage	≤11	M3 x 0.5P x 8L	2.5	2.1	19
	2 stage	≤11	M3 x 0.5P x 8L	2.5	2.1	19
ABR060 AFR060 AER070	1 stage	≤14	M4 x 0.7P x 12L	3	4.9	44
	2 stage	≤11	M3 x 0.5P x 8L	2.5	2.1	19
ABR090 AFR075 AER090	1 stage	≤19	M5 x 0.8P x 14L	4	9.8	87
	2 stage	≤14	M4 x 0.7P x 12L	3	4.9	44
ABR115 AFR100 AER120	1 stage	≤32	M6 x 1P x 16L	5	17	151
	2 stage	≤19	M5 x 0.8P x 14L	4	9.8	87
ABR142 AFR140 AER155	1 stage	≤38	M8 x 1.25P x 20L	6	41	364
	2 stage	≤32	M6 x 1P x 16L	5	17	151
ABR180 AFR180 AER205	1 stage	≤48	M10 x 1.5P x 25L	8	80	709
	2 stage	≤38	M8 x 1.25P x 20L	6	41	364
ABR220 AFR220 AER235	1 stage	≤55	M12 x 1.75P x 30L	10	139	1232
	2 stage	≤48	M10 x 1.5P x 25L	8	80	709

**Note:** Holding torques must be bigger than values shown above. Bolts can be tightened up to 20% higher for increased holding torques.



**APEX DYNAMICS, INC.**

Tel : 886-4-23550219 / Fax : 886-4-23550218

E-Mail : [sales@apexdyna.com](mailto:sales@apexdyna.com) / Web : [www.apexdyna.com](http://www.apexdyna.com)

No. 6, 20th Rd., Taichung Industrial Park, Taichung, Taiwan. R.O.C.