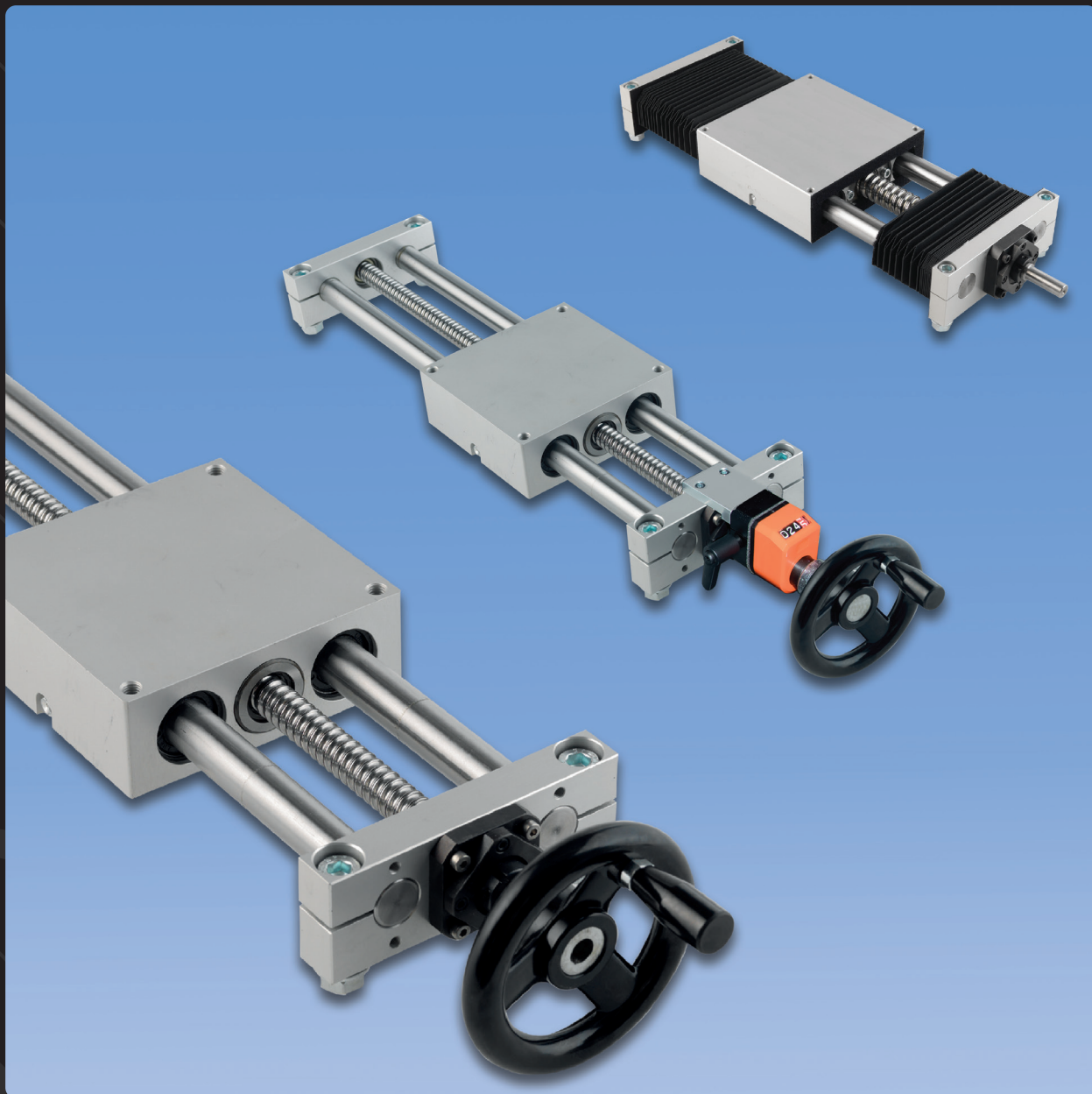


# LINEAR UNIT QME



**ROLLCO**

SPECIALIZED  
ON LINEAR MOTION

# Index

<b>PRODUCT OVERVIEW</b> .....	<b>3</b>
<b>PRODUCT RANGE &amp; OPTIONS</b> .....	<b>4</b>
Standard version .....	4
Drive ends .....	5
Right + Left drive .....	9
Bellow .....	9
Magnet and rail for end/position switches .....	10
Position switch .....	11
Motor flange and coupling or timing belt transmission .....	12
<b>ORDER CODE</b> .....	<b>13</b>
<b>TECHNICAL INFORMATION</b> .....	<b>14</b>
Weight .....	14
Load and speed .....	15
Life time calculations .....	17
<b>SERVICE AND MAINTENANCE</b> .....	<b>18</b>

Every care has been taken to ensure the accuracy of the information contained in this catalogue, but no liability can be accepted for any errors or omissions. We reserve the right to make changes without prior notice.

Any reproduction, even partial, is allowed only by written permission by Rollco.



**CLIMATE  
COMPENSATED  
PAPER**



## Linear Unit QME

By using Linear Unit QME from Rollco you save both time and money. The units are designed to fulfil the need of an easy to mount unit for medium precision requirements. The units are ready to mount linear tables guided with linear ball bearings on hardened shafts and driven by ball- or lead-screw. There is a wide variety of executions available for quick delivery from our workshop.

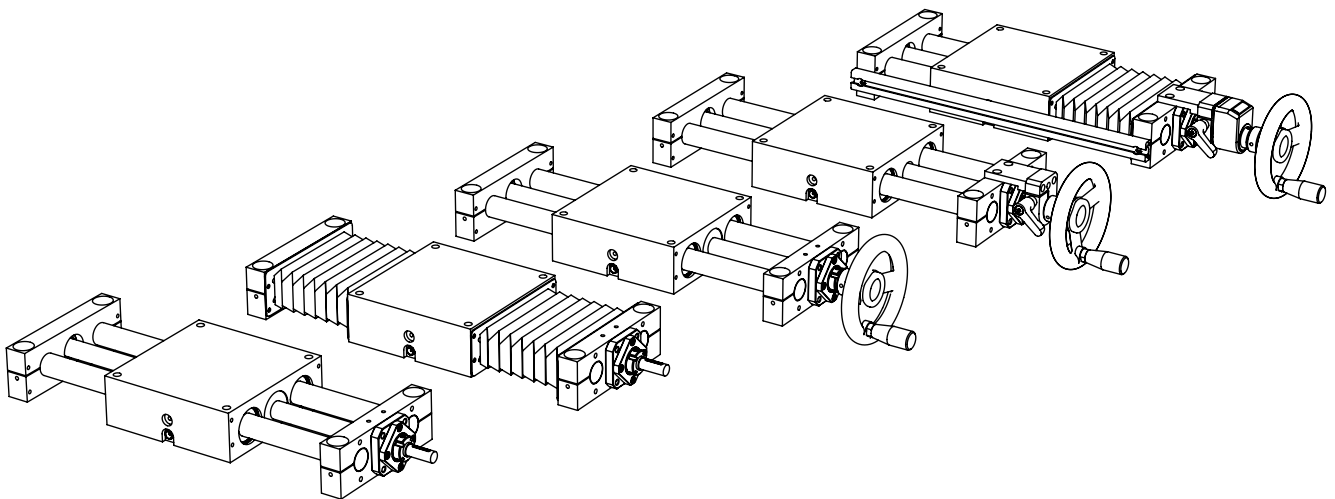
Selectable standard options are:

- Bellows
- Hand wheel
- Screw locking
- Mechanical position counter
- Left+Right drive units
- Magnetic end position switches

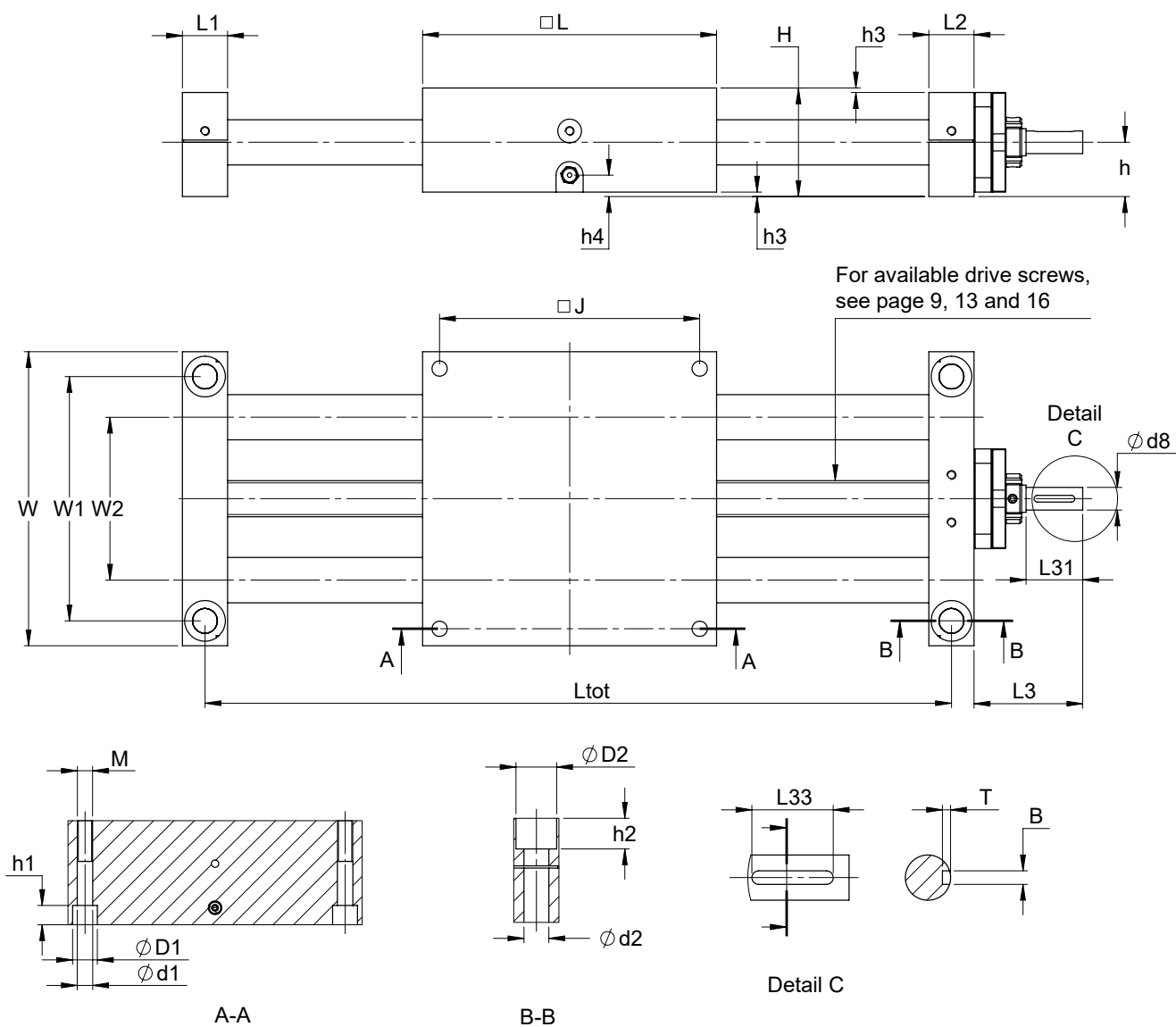
Ask us if you need higher level of corrosion resistance, low/high temperature versions, other screw-leads or -types, customized machining of the drive- and mounting-interfaces and so on.

### Characteristics

- Linear ball bearings used for lowest friction and minimal and persistent play.
- Low backlash ball screw, optional with reduced backlash or backlash eliminated by light preload.
- Customized mounting flange for motor and/or customized end-machining of the screw shaft available.
- Corrosion resistant version as option.



# Standard version



Units in mm.

Size	L	J	W	H	L1	L2	h	h3	h4	W1	W2
QME 12	85	73	85	31,5	12	14	15	1,5	7,5	73	45
QME 20	130	115	130	48	20	20	24	2	7,5	108	72
QME 30	200	184	200	70	22	22	36	2	15	178	130

Size	Ltot*	d1 x D1 x h1	d2 x D2 x h2	M
QME 12	stroke+98	5,2 x 10 x 5,5	5,5 x 10 x 8,5	M6 x 12
QME 20	stroke+150	6,8 x 11 x 8,5	11 x 18 x 13,5	M8 x 18
QME 30	stroke+222	6,8 x 11 x 8,5	13 x 20 x 14	M8 x 18

\* Max Ltot: QME12: 1000 mm, QME20: 1500 mm, QME30: 2000 mm

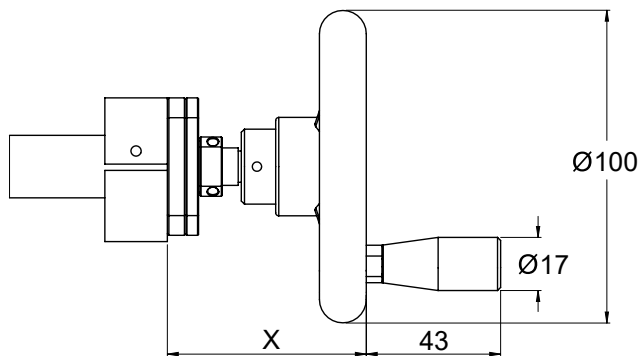
## Drive ends

### Standard drive end

Size	Standard				Drive end W
	L3	L31	d8 (h7)	B (P9) x L33 x T	X
QME 12	23	8	4	no keyway	53
QME 20	48	25	10	3 x 21 x 1,8	61
QME 30	80	45	16	5 x 36 x 3	68

Dimensions refer to Standard version drawing.

### Hand wheel (option W)



Units in mm.

Size	Designation	X
QME12	QW12	54
QME20	QW20	64
QME30	QW20	70

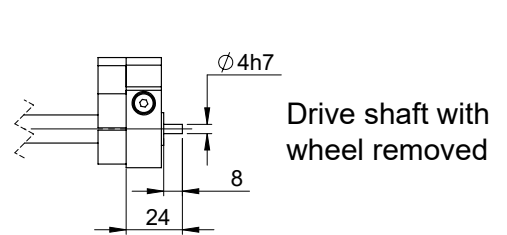
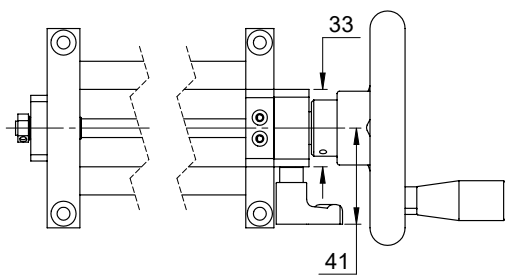
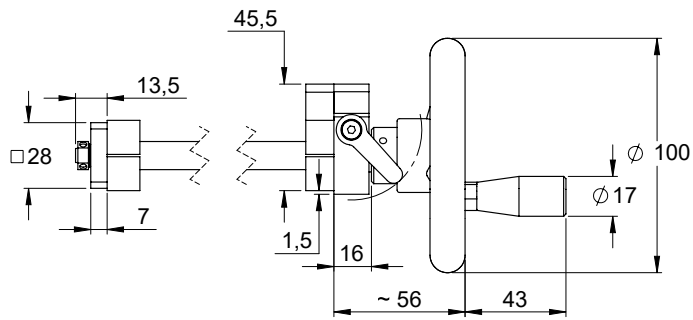
### Hand wheel, locking device, position indicator (option WL and WIL)

Locking device and mechanical position indicators are available for all sizes. We recommend locking device for all hand driven units with ball screw to avoid back driving.

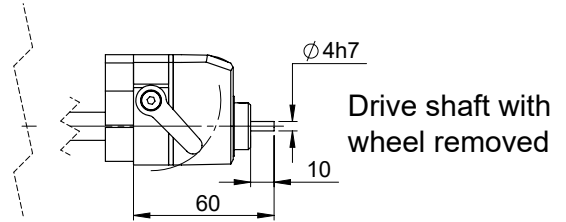
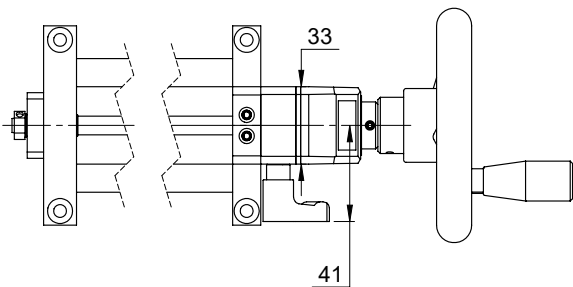
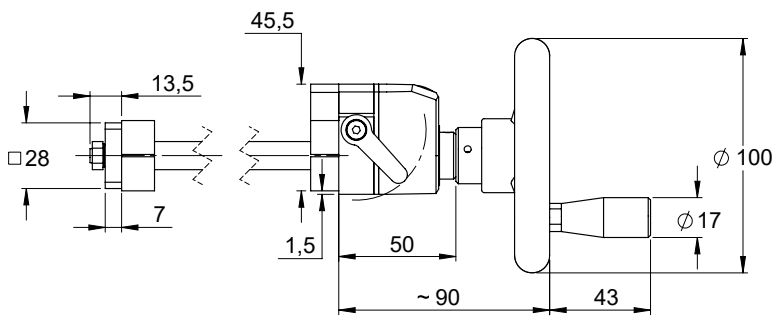
Locking device is always included if position indicator is selected (option WIL).

The position indicator have 4 digits where the tree black-background digits represent position in millimeter and the red-background digit 1/10 of a millimeter. The value increase as the moving part moves away from the drive end (at CCW rotation of the hand-wheel). For left+right units, the value of the counter increase as the two moving parts moves apart. The zero of the counter is set at delivery to be at mechanical end stop but can easily be adjusted to arbitrary position by releasing a single setscrew and turn the indicator hollow shaft in relation to the drive screw.

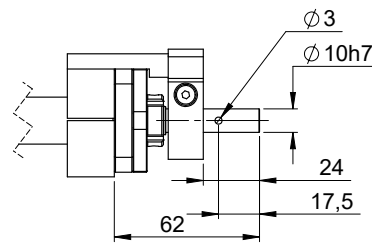
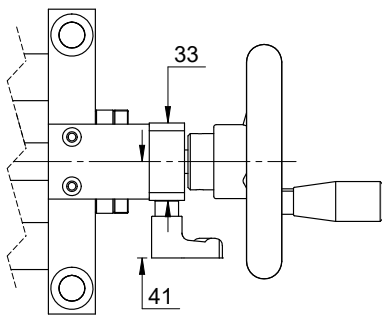
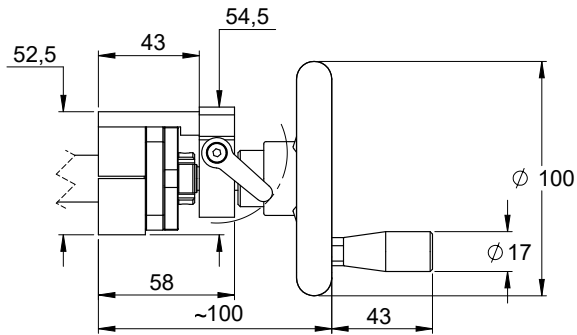
OME 12 - WL



OME 12 - WIL

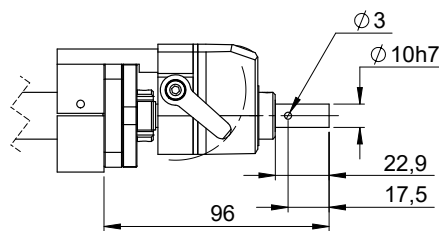
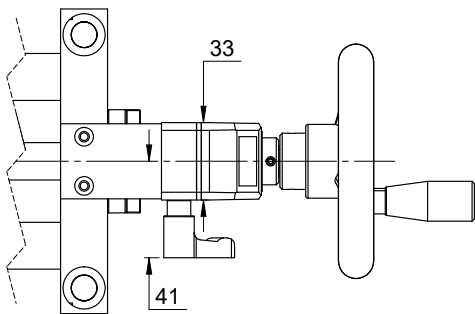
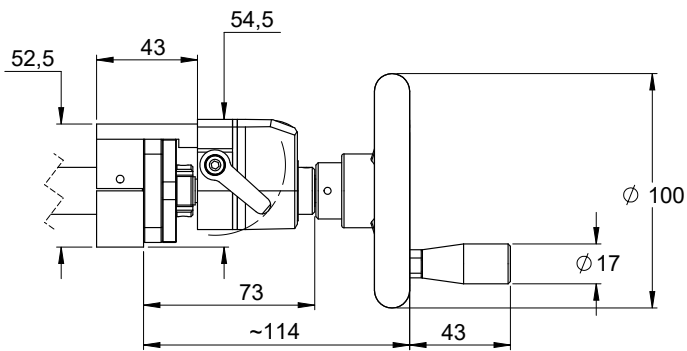


OME 20 - WL



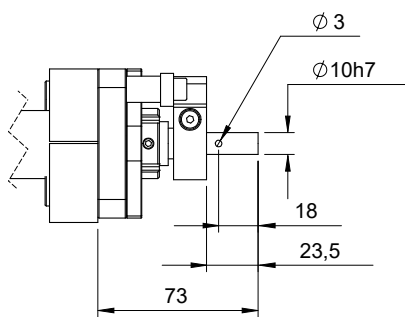
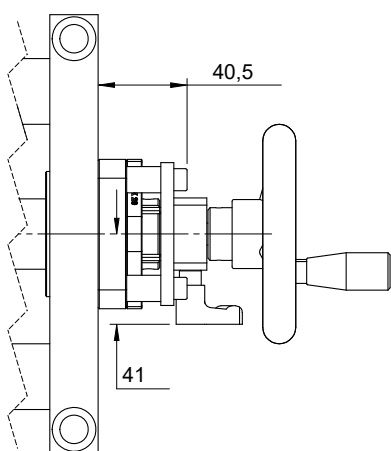
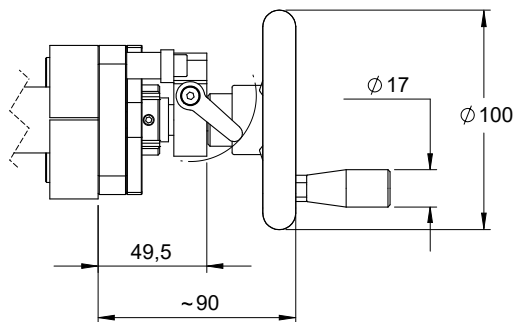
Drive shaft with wheel removed

OME 20 - WIL



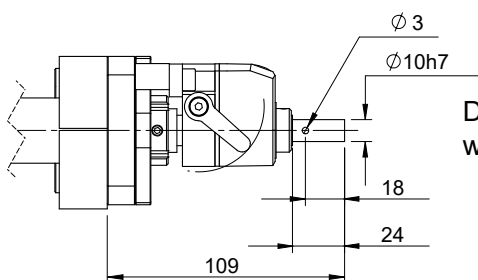
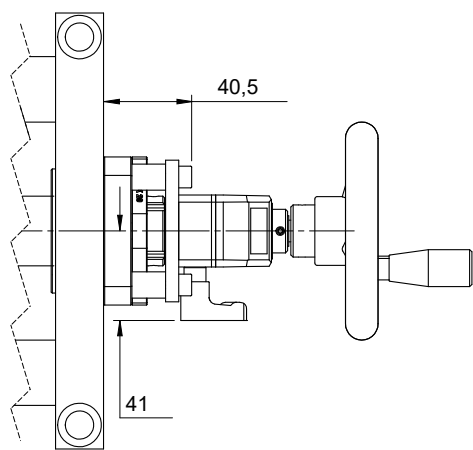
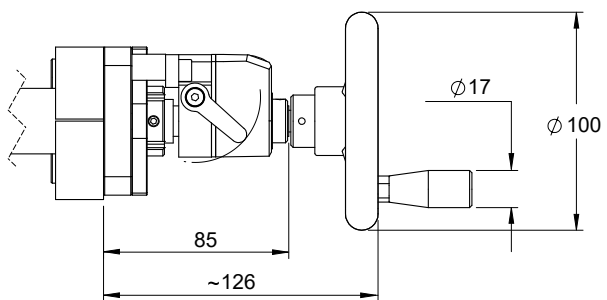
Drive shaft with wheel removed

OME 30 - WL



Drive shaft with wheel removed

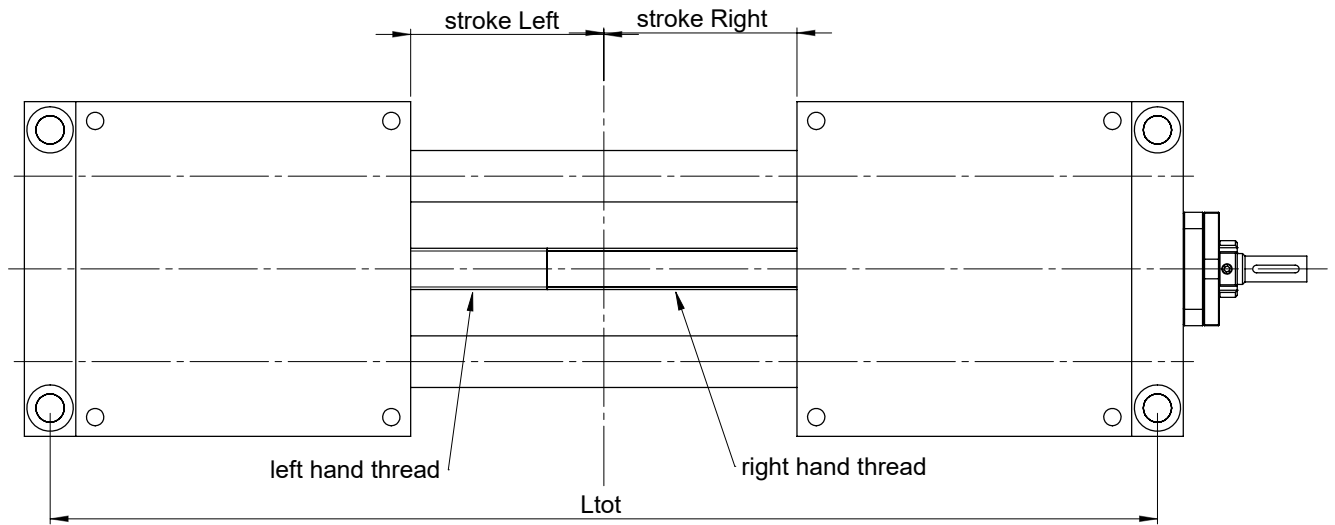
OME 30 - WIL



Drive shaft with wheel removed



## Right + Left drive



Units in mm.

Size	Ltot	Drive screw
QME 12	stroke * 2+183	Tr screw TR1203/TL1203
QME 20	stroke * 2+280	Tr screw TR1604/TL1604
QME 30	stroke * 2+422	Ball screw SR3205/SL3205

Note that “stroke” for a L+R unit refers to the stroke of each individual slider.

All drive end types possible also for Left + Right drive.

## Bellow



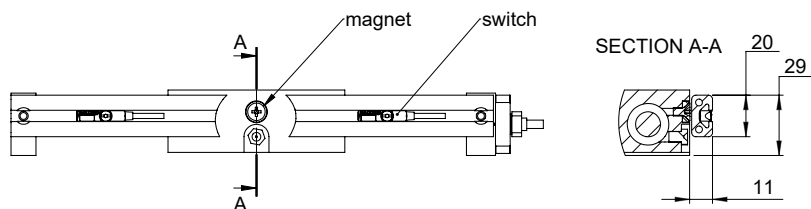
Size	Bellow Ltot	Bellow R+L Ltot
QME 12	stroke * 1,286 + 110	stroke * 2,572 + 195
QME 20	stroke * 1,200 + 162	stroke * 2,4 + 292
QME 30	stroke * 1,146 + 234	stroke * 2,292 + 434

Note that “stroke” for a L+R unit refers to the stroke of each individual slider.

Bellows are recommended for all applications where the unit isn't protected against dust and dirt. The bellow may also work as a squeeze protection.

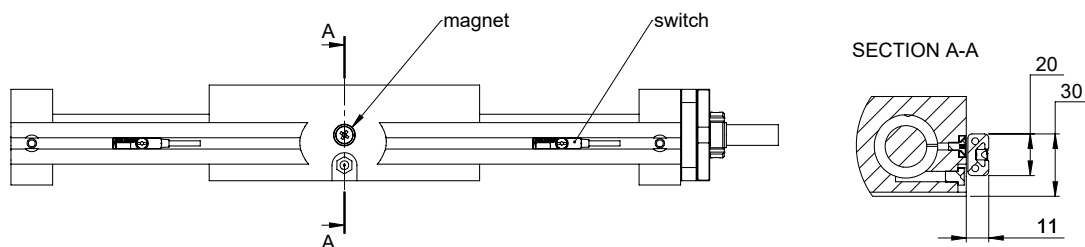
# Magnet and rail for end/position switches

## OME 12



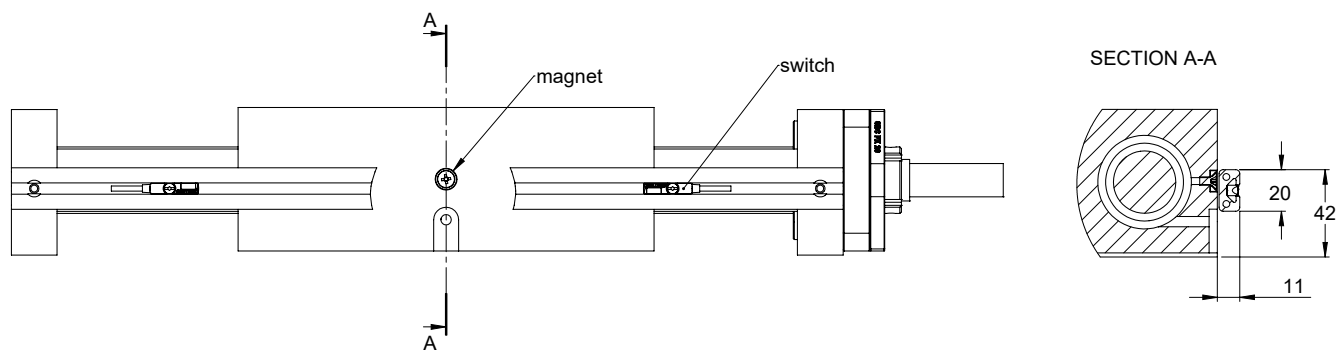
Units in mm.

## OME 20

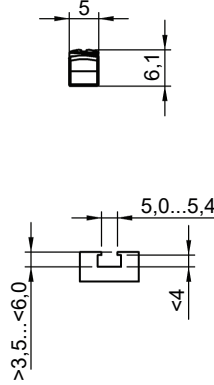
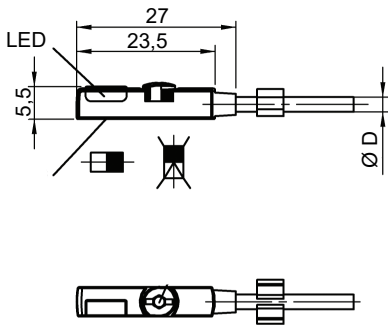


Units in mm.

## OME 30



# Position switch

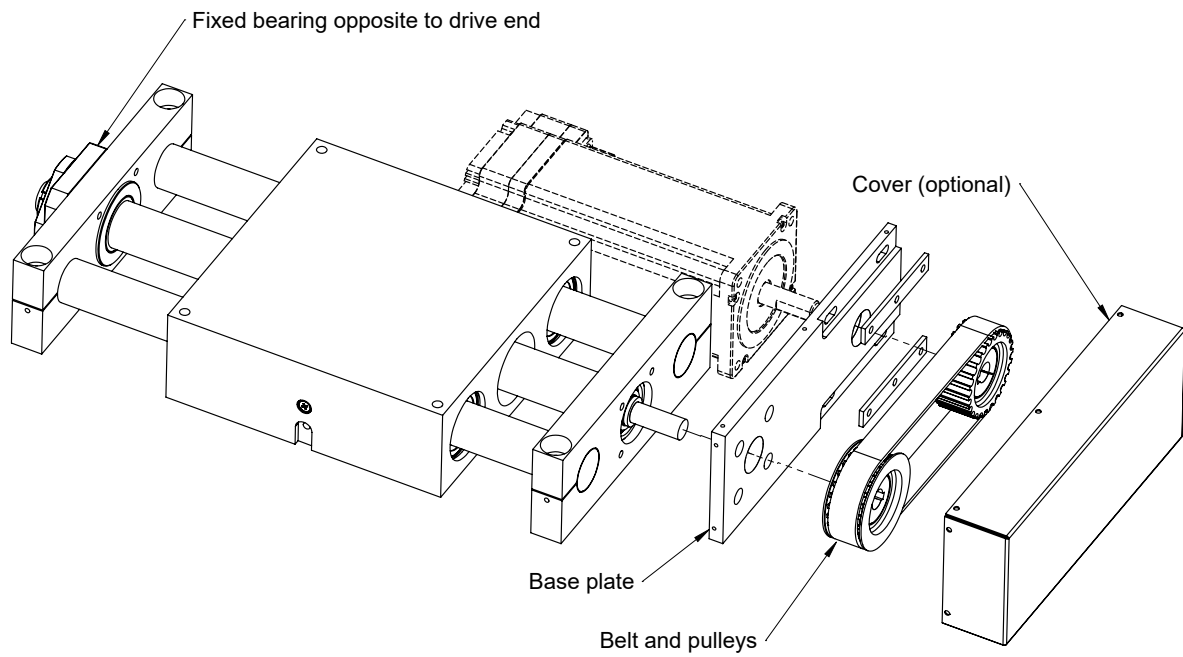
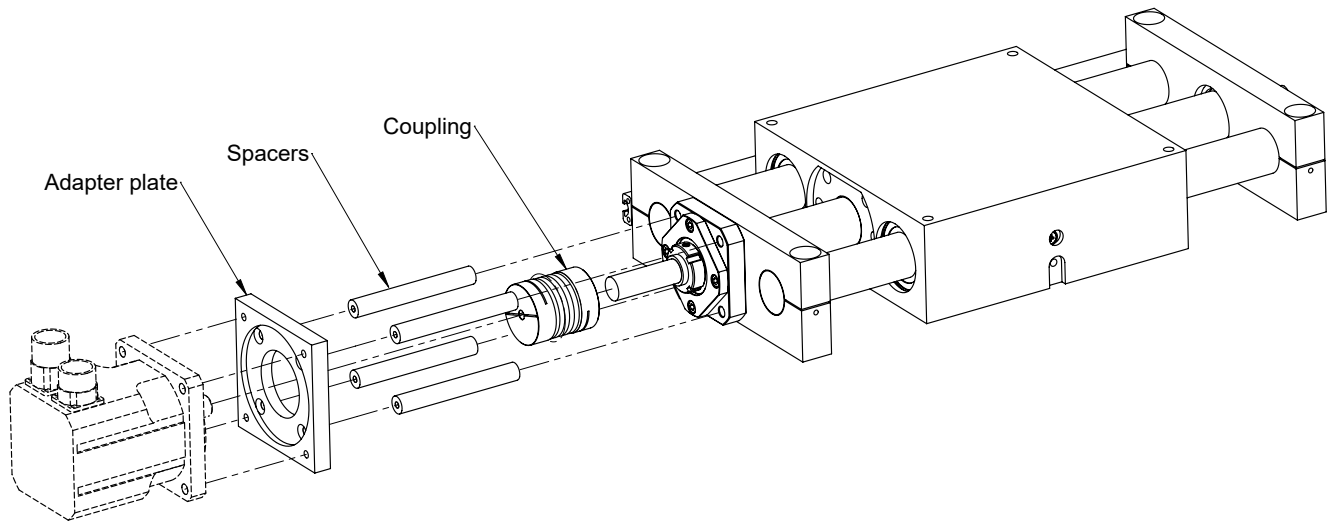


## RHL-BMF235K-PS (Normally Open) RHL-BMF235K-PO (Normally Closed)

- Precise readjustment
- All-electronically
- Vibration resistant
- High protection class

	RHL-BMF235K-PS (NO)	RHL-BMF235K-PO (NC)
Service voltage	10 ... 30 V DC	
Output	PNP, NO	PNP, NC
Maximum rating	200 mA	
Contact rating	6 W max. (30 V, 200 mA)	
Internal power consumption	6 mA	
Voltage drop, static	2,5 V max	
Operating frequency	5000 Hz	
Reproducibility	< 0,1 mm	
Ambient temperature	-25 ... +85 °C	
Insulation voltage endurance	75 V DC	
Protection class	IP 67	
Indicators	LED: yellow output signal	
Mounting	Hex key size 2,0 mm. Max. tightening torque 0,4 Nm	
Casing material	PA12	
Connection	Cable PUR, 2,0 m as standard	
Approval	CE	
Short circuit protected	Yes	

# Motor flange and coupling or timing belt transmission (on request)



# Linear Unit QME

QME20 - 2x360 - 1194 - BWILM - SR/SL1605 - Z

## Product type

QME12 = ø12 shaft + linear ball bearing LME12UU  
 QME20 = ø20 shaft + linear ball bearing SBE20UU  
 QME30 = ø30 shaft + linear ball bearing SBE30UU

## Stroke

Stroke between mechanical stops (mm)  
 Prefix "2x" means 2 moving parts with left+right -hand drive screw

## Ltot

Length distance between mounting holes (mm)

## Options

B = with bellows  
 W = with hand wheel  
 WL = hand wheel and locking device on drive screw  
 WIL = hand wheel, locking device and position indicator  
 M = with magnet and rail for end/position switches (switches ordered separately)

## Screw type<sup>(1)</sup>

SR082,5 Ball screw lead 2,5 mm for QME12  
 TR1203 Tr screw lead 3 mm for QME12  
 TL1203 Left hand Tr screw lead 3 mm for QME12  
 SR1605 Ball screw lead 5 mm for QME20  
 TR1604 Tr screw lead 4 mm for QME20  
 TL1604 Left hand Tr screw lead 4 mm for QME20  
 SR3205 Ball screw lead 5 mm for QME30  
 SL3205 Left hand ball screw lead 5 mm for QME30  
 SR3210 Ball screw lead 10 mm for QME30  
 SR3220 Ball screw lead 20 mm for QME30  
 TR3006 Tr screw lead 6 mm for QME30

## Customisation

Z = according to custom drawing/specification

<sup>(1)</sup> In case of left+right unit, screws of same lead and type must be selected, for example TR1203 and TL1203.

# Weight

## Units without bellows

Size	Zero stroke (kg)	Moving part (kg)	+/100 mm stroke (kg)
QME 12	1,02	0,55	0,22
QME 20	3,52	1,76	0,65
QME 30	12,3	5,77	1,73

Table 1

## Units L+R without bellows

Size	Zero stroke (kg)	Moving part (kg)	+/100 mm stroke (kg)
QME 12	1,72	0,55	0,43
QME 20	5,92	1,76	1,29
QME 30	20,2	5,77	3,46

Table 2

## Units with bellows

Size	Zero stroke (kg)	Moving part (kg)	+/100 mm stroke (kg)
QME 12	1,04	0,57	0,32
QME 20	3,56	1,80	0,71
QME 30	12,4	5,91	1,86

Table 3

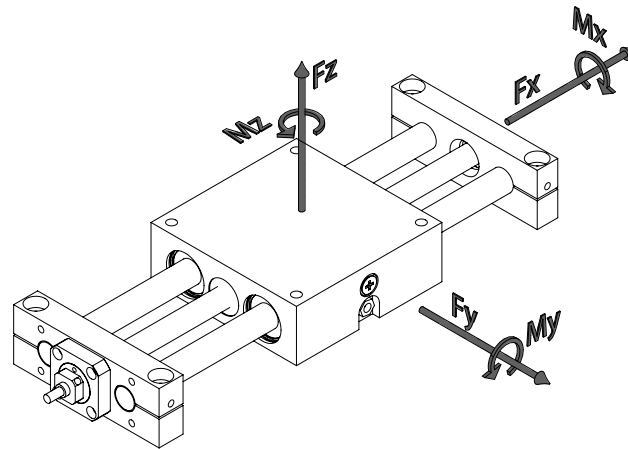
## Units L+R with bellows

Size	Zero stroke (kg)	Moving part (kg)	+/100 mm stroke (kg)
QME 12	1,76	0,57	0,65
QME 20	6,00	1,80	1,42
QME 30	20,5	5,91	3,71

Table 4

Masses may deviate +/- 5% depending on screw type and other options.

# Load and speed



## Load capacity of the linear guiding

Size	Fz		Fy		Mx		My		Mz	
	static (N)	dynamic (N)	static (N)	dynamic (N)	static (Nm)	dynamic (Nm)	static (Nm)	dynamic (Nm)	static (Nm)	dynamic (Nm)
QME12	3160	2080	3160	2080	71	47	74	47	74	49
QME20	5600	3520	5600	3520	202	127	216	127	216	136
QME30	11200	6400	11200	6400	728	416	678	416	678	387

Table 5

All capacity values are theoretical maximal values without any safety factor. Permissible load depends on desired life time and/or permissible deflection of the shafts. For motor driven units in automation applications, a dynamic safety factor of at least 5 is recommended.

## Permissible load Fz & Fy (N)

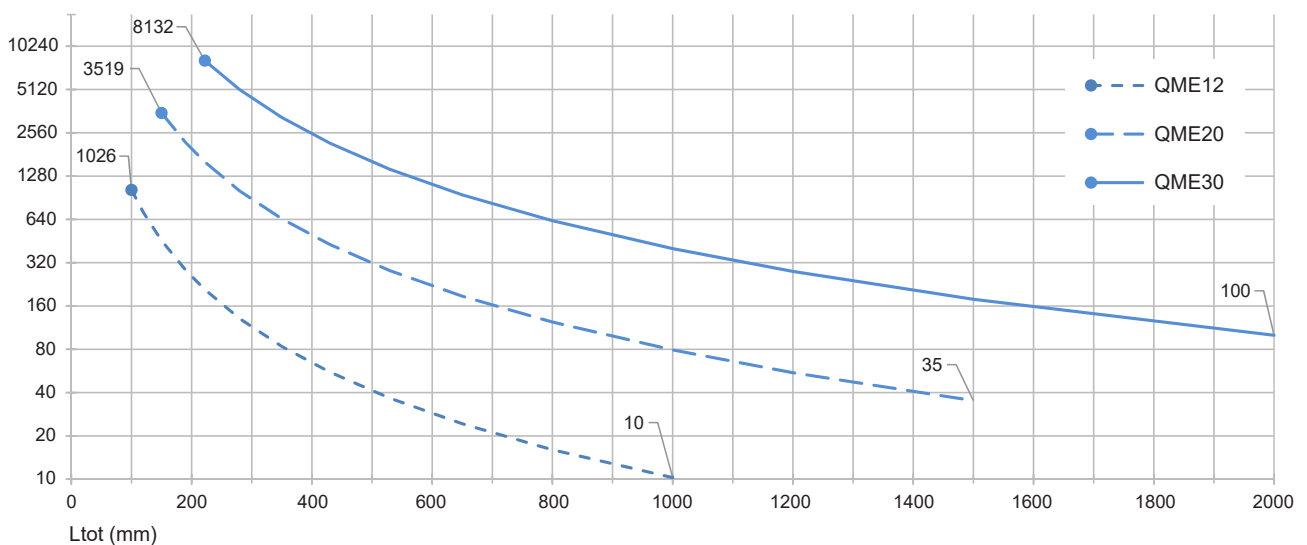


Diagram 1

Permissible load based on a shaft deflection of 1/1000 of Ltot. For long units, actual load may need to be reduced to achieve a deflection acceptable for the application.

## Loads in the feed-direction (Fx)

Size	Screw type	Dynamic capacity Ca (N)	Permissible Fx (N)
QME12	SR082,5	2030	1400
QME12	TR1203	n/a	1400
QME20	SR1605	7100	2500
QME20	TR1604	n/a	2500
QME30	SR/SL3205	9500	3200
QME30	SR3210	9500	3200
QME30	SR3220	9500	3200
QME30	TR3006	n/a	3200

Table 6

Permissible loads above will be limited for long units according to diagram 2. The dynamic capacity (Ca) is used for life time calculations. Ca is not defined for TR-screws and they can not be life time calculated.

## Permissible load Fx (N)

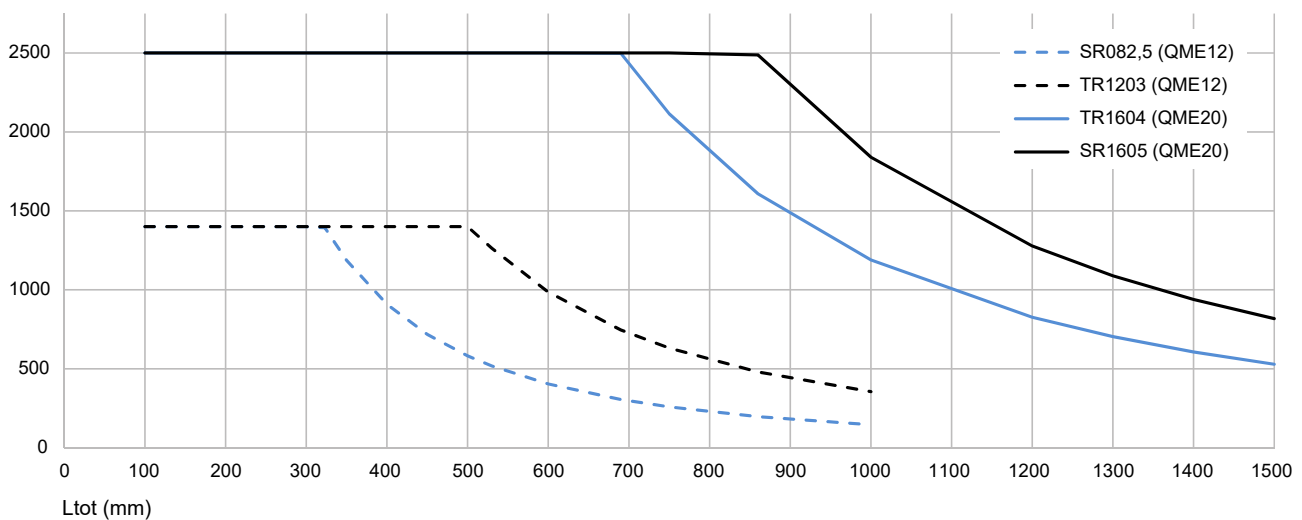


Diagram 2

Permissible load is based on the buckling limit of the screw.

For load in extension, permissible load will not decrease with length (Ltot). In QME30, oversized screws are used and no buckling will occur.



## Permissible linear speed (mm/s)

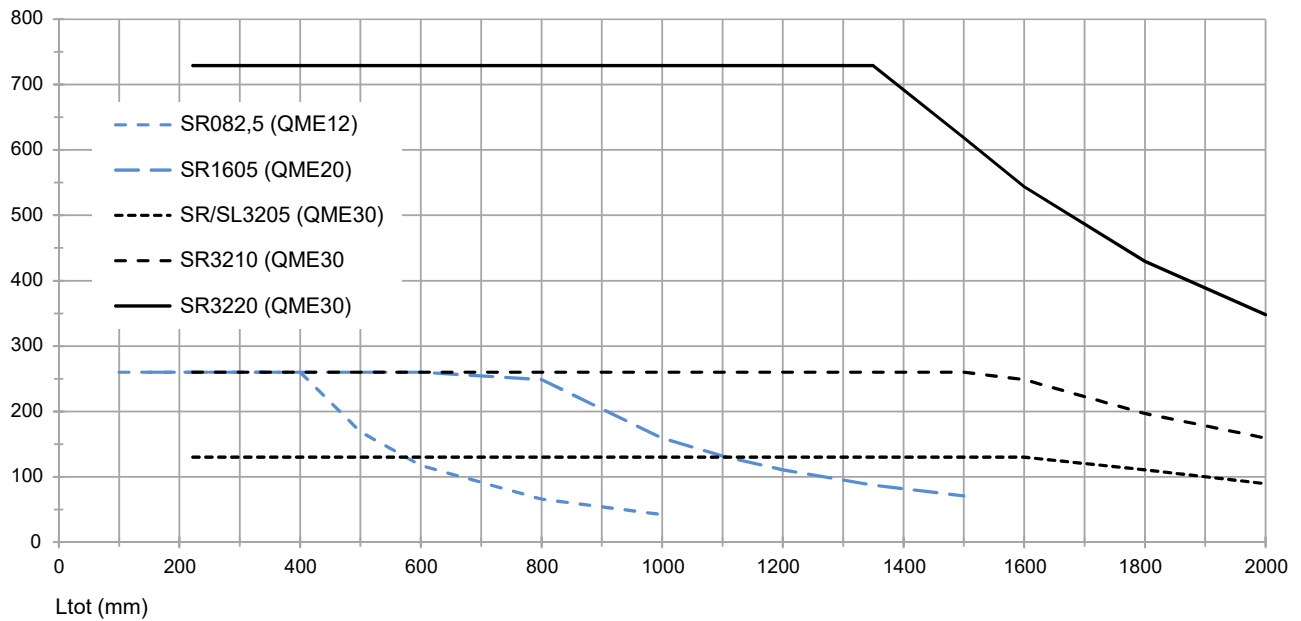


Diagram 3

## Life time calculations

The linear bearings and the ball screw drive transmission can be life time calculated according to classic L<sub>10</sub> theory.

For the linear bearings, the nominal life is > 6000 km if the recommended dynamic safety factor of at least 5 is used. For more demanding applications and complex load cases, please consult Rollco.

In vertical applications or any other application with high and continuous F<sub>x</sub> loads, the drive screw need to be calculated.

\* C<sub>a</sub> value from table 6

\* P<sub>x</sub> is the equivalent load in N on the screw

\* p is the screw lead in mm

L<sub>10</sub> gives the nominal life of the screw drive in millions of revolutions.

$$L_{10} = \left( \frac{C_a}{P_x} \right)^3$$

L<sub>10d</sub> gives is the nominal life in km.

$$L_{10d} = \left( \frac{C_a}{P_x} \right)^3 \cdot p$$

## Service and maintenance

The unit is delivered ready to use lubricated with grease of NLGI 1,5 class.

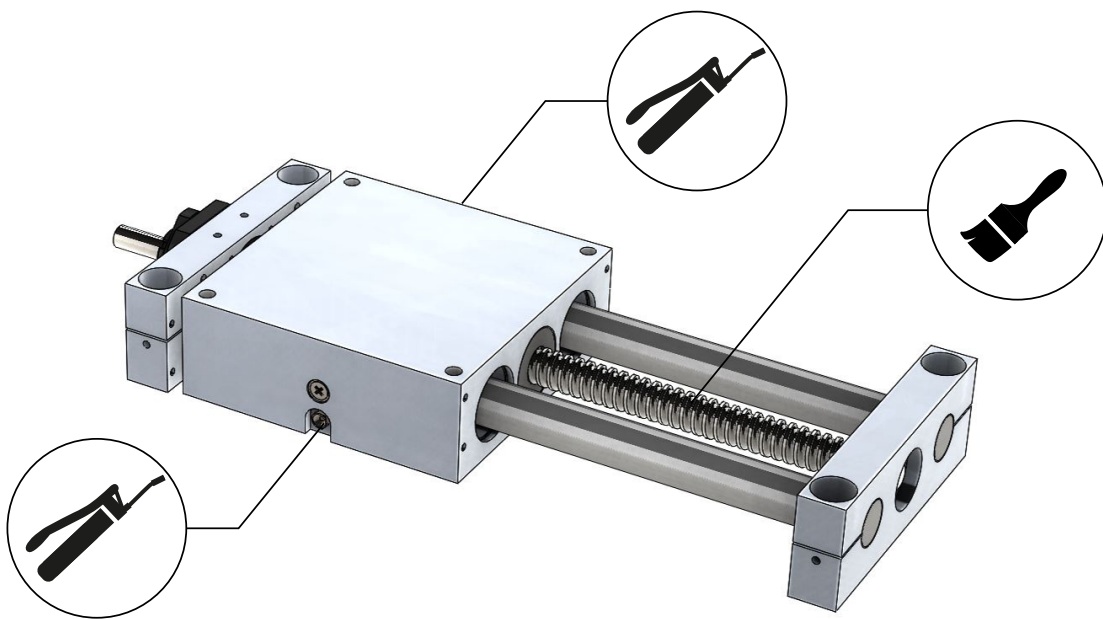
The linear bearings only need to be re-lubricated once a year with a similar grease, most mineral oil based grease using lithium thickener and having an NLGI 1,5 to 2 consistence will work fine.

The drive screw may require more intense lubrication if used at high load and intensity. To reach the calculated lifetime for a ball screw, re-lubrication is required after 50 million revolutions. (250 km travel for lead of 5 mm).

To reach a long life for a Tr-screw, very frequent lubrication is required. In general, Tr-screw is only recommended for hand-drive or very slow and low frequent use. In such use, re-lubrication once a year is sufficient.

The drive screw bearings are sealed and are not possible to re-lubricate. They have an expected grease life of 5 years.

For demanding operational conditions, please consult Rollco Technical support.



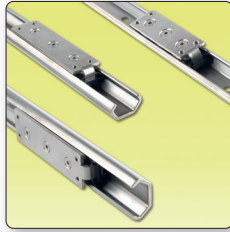
### Instruction

- Clean the shafts and the drive screw from dirt and old grease with a clean cloth or paper towel.
- Pump in a single stroke of grease thru the grease nipples with a pointy nozzle, on both sides.
- Apply a thin layer of grease on the full length of the drive screw using a brush.
- Run the unit slowly a couple of strokes to spread out the grease before taking it into full operation.

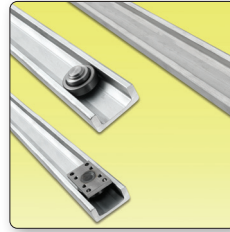
# Rollco Products



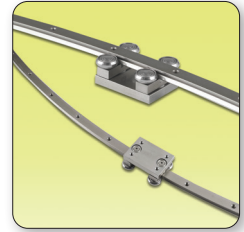
**COMPACT RAIL**



**C-RAIL**



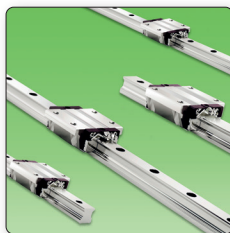
**U-RAIL**



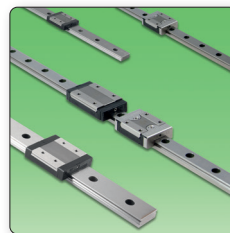
**CURVI LINE**



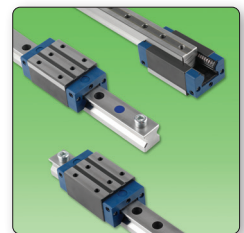
**LINEAR RAIL SBI**



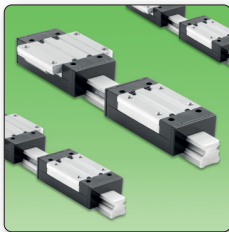
**LINEAR RAIL  
BALL CHAIN**



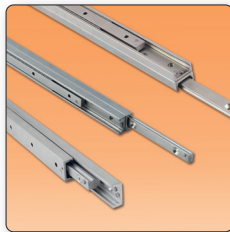
**LINEAR MINIATURE  
GUIDE**



**LINEAR ROLLER  
GUIDE**



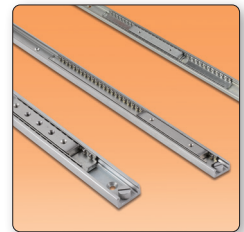
**LINEAR RAIL  
ALUMINIUM**



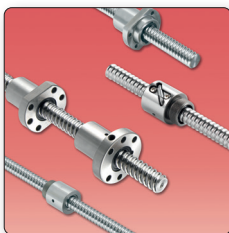
**TELESCOPIC RAIL  
HEAVY**



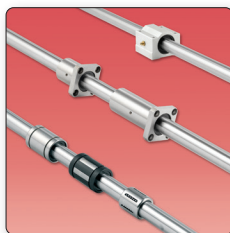
**TELESCOPIC RAIL  
LIGHT**



**EASYSLIDE**



**BALL SCREWS**



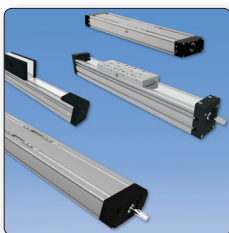
**BALL BEARINGS  
& STEEL SHAFTS**



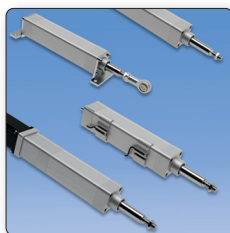
**LINEAR UNIT RHL**



**LINEAR UNIT E-SMART**



**LINEAR UNITS CT & MT**



**PNCE ELECTRO-  
MECHANICAL CYLINDERS**



**ALUMINIUM PROFILES**



**BELT CONVEYORS**

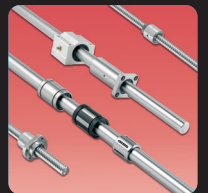
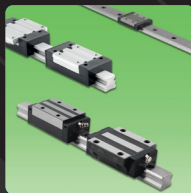
**Rollco AB**  
Box 22234  
Ekvändan 3  
250 24 Helsingborg  
Sweden  
Tel. +46 42 150040  
[www.rollco.se](http://www.rollco.se)

**Rollco A/S**  
Skomagervej 13 E  
7100 Vejle  
Denmark  
Tel. +45 7552 2666  
[www.rollco.dk](http://www.rollco.dk)

**Rollco Oy**  
Sarankulmankatu 12  
33900 Tampere  
Finland  
Tel. +358 207 57 97 90  
[www.rollco.fi](http://www.rollco.fi)

**Rollco Norge AS**  
Industrigata 6  
3414 Lierstrada  
Norway  
Tel. +47 32 84 00 34  
[www.rollco.no](http://www.rollco.no)

**Rollco Taiwan**  
No. 28, Lane 125, Da-an Road  
Shulin District 238  
New Taipei City, Taiwan  
Tel. +886-2-8687-2726  
Fax +886-2-8687-2720  
[www.rollco-tw.com](http://www.rollco-tw.com)



**ROLLCO**  
SPECIALIZED  
ON LINEAR MOTION