



APEX DYNAMICS, INC.

**HIGH PRECISION
PLANETARY GEARBOX**

AFH / AFHK Series



Gearbox Series - AFH / AFHK

► Features:

High Torque

Optimized Output Torque & Inertia Moment

High Precision / Low Backlash

Long Service Life

Low Noise

Limited Temperature Rise



Ordering Code - AFH / AFHK Series

AFH090	—	003	—	SI	/	MOTOR
						Motor Type
						Shaft Type
						Ratio
						Gearbox Size

Gearbox Size

AFH 060 / 075 / 100 / 140 / 180 / 210 / 240

AFHK 060 / 075 / 100 / 140 / 180 / 210 / 240

Ratio⁽¹⁾

AFH (1 Stg.) 3 / 4 / 5 / 7 / 10

(2 Stg.) 16 / 20 / 25 / 28 / 35 / 40 / 50 / 70 / 100

AFHK (2 Stg.) 12 / 16 / 20 / 25 / 28 / 35 / 40 / 50 / 70 / 100

AFHKA (3 Stg.) 100 / 125 / 140 / 175 / 200 / 250 / 350 / 400 / 500 / 700 / 1,000

**AFHKB (3 Stg.) 48 / 64 / 84 / 100 / 125 / 140 / 175 / 200 / 250 / 280 / 350 / 400 / 500
700 / 1,000**

AFHK (4 Stg.) 1,225 / 1,400 / 1,750 / 2,000 / 2,800 / 3,500 / 5,000 / 7,000 / 10,000

AFHKC (2 Stg.) 4 / 5 / 7 / 8 / 10

Shaft Type : S1 = Smooth Output Shaft

S2 = Output Shaft with Key

S3 = DIN5480 Output Shaft

S4 = Hollow Output Shaft

Motor Type : Manufacturer and Model

(1) Ratio ($I = N_{in} / N_{out}$).



©2018 by APEX DYNAMICS, INC.

APEX DYNAMICS, INC. reserves modification and copyrights of all technical specifications, illustrations and drawings in this catalog in allowance for continuous products development and advancement. For the newest data and information, please visit <http://www.apexdyna.com/>

Performance - AFH Gearbox

Model No.	Stage	Ratio ⁽¹⁾	AFH 060	AFH 075	AFH 100	AFH 140	AFH 180	AFH 210	AFH 240	
Nominal Output Torque T_{2N}	1	3	85	150	415	630	1,485	2,255	4,090	
		4	95	195	350	600	1,290	1,960	3,715	
		5	80	165	305	525	1,145	1,745	3,285	
		7	60	130	250	435	980	1,495	2,525	
		10	24	55	160	305	700	1,070	1,810	
	2	16	95	195	360	615	1,320	2,000	3,785	
		20	95	200	360	615	1,320	2,000	3,800	
		25	80	165	310	535	1,165	1,770	3,330	
		28	60	200	360	615	1,325	2,000	3,800	
		35	70	170	310	535	1,165	1,775	3,335	
		40	40	96	220	615	1,215	2,000	3,805	
		50	50	120	275	535	1,170	1,775	3,340	
		70	60	130	250	440	990	1,510	2,550	
		100	24	55	160	295	660	1,005	1,700	
Emergency Stop Torque T_{2NOT}	Nm	1,2	3~100	3 times T_{2N}						
Max. Acceleration Torque T_{2B}	Nm	1,2	3~100	1.5 times T_{2N}						
No Load Running Torque ⁽²⁾	Nm	1	3~10	0.3	0.6	1.4	2.5	5	7	11
		2	16~100	0.2	0.3	0.5	1.2	1.7	3	4
Backlash ⁽³⁾	arcmin	1	3~10	≤ 2	≤ 1	≤ 1	≤ 1	≤ 1	≤ 1	≤ 1
		2	16~100	≤ 3	≤ 2	≤ 2	≤ 2	≤ 2	≤ 2	≤ 2
Torsional Rigidity	Nm/arcmin	1,2	3~100	4.6	10	30	55	175	400	550
Nominal Input Speed n_{1N}	rpm	1	3~10	5,000	3,600	3,600	3,000	2,700	2,400	2,100
		2	16~100	5,000	4,600	4,600	4,000	3,700	3,400	3,100
Max. Input Speed n_1	rpm	1	3~10	7,000	6,000	6,000	5,000	4,500	4,000	3,500
		2	16~100	7,000	7,000	7,000	6,000	5,500	5,000	4,500
Max. Radial Load F_{2r} ⁽⁴⁾	N	1,2	3~100	3,000	4,500	6,700	10,000	15,000	22,000	30,000
Max. Axial Load F_{2a} ⁽⁴⁾	N	1,2	3~100	1,500	2,250	3,350	5,000	7,500	11,000	15,000
Max. Tilting Moment M_{2K} ⁽⁴⁾	Nm	1,2	3~100	160	270	550	1,050	1,740	3,350	5,420
Operating Temp.	°C	1,2	3~100	-10° C ~ 90° C						
Degree of Gearbox Protection		1,2	3~100	IP65						
Lubrication		1,2	3~100	Synthetic lubrication grease						
Mounting Position		1,2	3~100	All directions						
Running Noise ⁽⁵⁾	dB(A)	1	3~10	≤ 58	≤ 59	≤ 64	≤ 65	≤ 66	≤ 66	≤ 66
		2	16~100	≤ 58	≤ 59	≤ 60	≤ 63	≤ 66	≤ 66	≤ 66
Efficiency η	%	1	3~10	≥ 97%						
		2	16~100	≥ 94%						

(1) Ratio ($i = N_{in} / N_{out}$).

(2) These values are measured by gearbox with ratio 10 (1-stage) or ratio 100 (2-stage) at 3,000 rpm no loading.

(3) Backlash is measured at 2% of Nominal Output Torque T_{2N} .

(4) Applied to the output shaft center at 100 rpm.

(5) The dB values are measured by gearbox with ratio 10 (1-stage) or ratio 100 (2-stage), no loading at 3,000 RPM or at the respective Nominal Input Speed by bigger model size. By lower ratio and/or higher RPM, the noise level could be 3 to 5 dB higher.

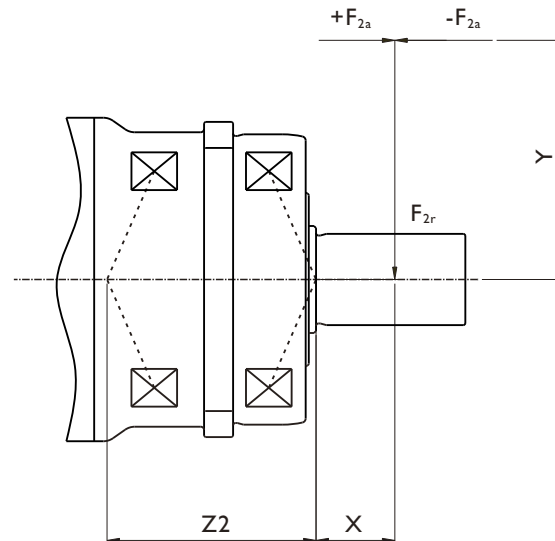
(6) 5 years warranty.

Inertia - AFH Gearbox

Model No.	AFH 060		AFH 075		AFH 100		AFH 140		
(C3) Ø ^(A)	Stage	1	2	1	2	1	2	1	2
8	kg.cm ²	-	0.1	-	-	-	-	-	-
11		0.21	0.16	-	0.17	-	-	-	-
14		0.24	0.2	0.54	0.21	-	0.42	-	-
19		0.64	-	0.79	0.6	2.51	0.66	-	1.83
24		-	-	4.06	-	4.78	3.94	6.85	4.11
28		-	-	-	-	6.15	-	8.38	5.48
32		-	-	-	-	8.03	-	10.41	7.36
35		-	-	-	-	14.72	-	15.56	14.04
38		-	-	-	-	17.38	-	20.43	16.71
42		-	-	-	-	-	-	25.44	-
48		-	-	-	-	-	-	54.66	-
55		-	-	-	-	-	-	-	-
60		-	-	-	-	-	-	-	-

Model No.	AFH 180		AFH 210		AFH 240		
(C3) Ø ^(A)	Stage	1	2	1	2	1	2
8	kg.cm ²	-	-	-	-	-	-
11		-	-	-	-	-	-
14		-	-	-	-	-	-
19		-	-	-	-	-	-
24		-	4.61	-	-	-	-
28		-	6.14	-	-	-	-
32		19.5	8.17	-	10.55	-	-
35		26.71	15.54	39.6	17.75	86.48	20.8
38		29.11	18.19	42.43	20.17	86.48	23.66
42		34.35	23.20	47.65	25.4	92.61	28.88
48		64.13	52.42	77.41	55.18	122.26	58.64
55		-	-	111.26	-	156.7	92.48
60		-	-	-	-	180.17	-

(A) Ø = Input shaft diameter.



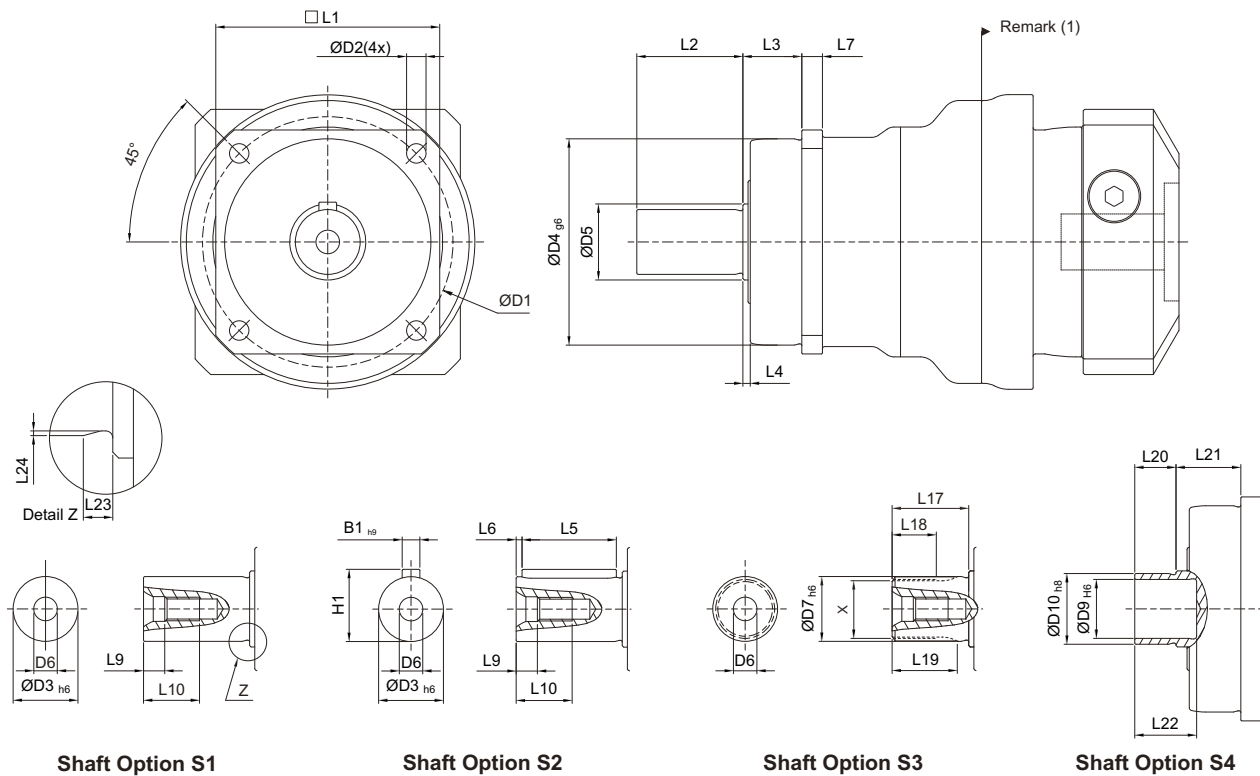
$$\text{Max. Tilting Moment } M_{2K} = \frac{F_{2a} * Y + F_{2r} * (X + Z2)}{1000}$$

M_{2K} : [Nm]
 F_{2a}, F_{2r} : [N]
 $X, Y, Z2$: [mm]

AFH / AFHK	060	075	100	140	180	210	240
Z2 [mm]	41.3	50.1	58.9	72.7	93.7	98.5	112.2

Note : Applied to the output shaft center at 100 rpm.

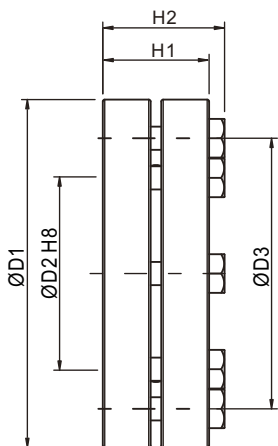
Dimension - AFH Gearbox



Dimension	AFH 060	AFH 075	AFH 100	AFH 140	AFH 180	AFH 210	AFH 240
D1	68	85	120	165	215	250	290
D2	5.5	7	9	11	13.5	17	17
D3	h6	22	32	40	55	75	85
D4	g6	60	70	90	130	180	200
D5	18.5	25.8	36.8	55.2	69.2	82.2	92.2
D6	M5x0.8P	M8x1.25P	M12x1.75P	M16x2P	M20x2.5P	M20x2.5P	M20x2.5P
D7	h6	22	32	40	55	75	85
D9	H6	20	30	40	55	-	-
D10	h8	24	36	50	68	-	-
L1	62	76	101	141	182	215	245
L2	28	36	58	82	82	105	130
L3	20	20	30	30	30	38	40
L4	2	2.5	3	3	3	3	3
L5	25	32	50	63	70	90	125
L6	2	2	4	5	6	7	3
L7	6	7	10	12	15	17	22
L9	4.8	7.2	10	12	15	15	15
L10	12.5	19	28	36	42	42	42
L17	26	26	26	40	41.5	52	60
L18	15	15	15	20	21.5	28	36
L19	21	22.5	23	33.5	33.5	45	53
L20	12	14	18	22	23	-	-
L21	22	22	32	33	32	-	-
L22	19	21	25	30	30	-	-
L23	2	2.5	2.5	2.5	2.5	2.5	4
L24	0.3	0.4	0.4	0.4	0.4	0.4	0.5
B1	h9	6	10	12	16	20	22
H1	18	24.5	35	43	59	79.5	90
X DIN5480	W16x0.8x30x18x6m	W22x1.25x30x16x6m	W32x1.25x30x24x6m	W40x2x30x18x6m	W55x2x30x26x6m	W70x2x30x34x6m	W80x2x30x38x6m

(1) Dimensions are related to motor interface. Please contact APEX for details.

Shrink Disc Power Lock



SHRINK DISC POWER LOCK

Diameter	Tolerance
≤ 30	H6 / j6
> 30 ~ 50	H6 / h6
> 50 ~ 80	H6 / g6

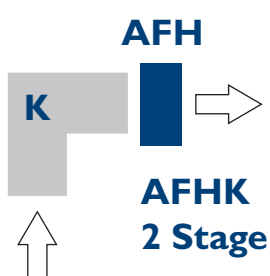
* For surface roughness Ra ≤ 3.2 um

Model No. AFH / AFHK	D1	D2	D3	H1	H2	Screw ⁽¹⁾	TA ⁽²⁾	J	Order code
						No x type	[Nm]	[Kg.cm ²]	
060	44	18	30	15	18.5	5 x M5	4	0.4	SSD-18
075	50	24	36	19.5	23	6 x M5	4	0.8	SSD-24
100	72	36	52	23.5	27.5	5 x M6	12	3.9	SSD-36
140	90	50	70	27.5	31.5	8 x M6	12	11.2	SSD-50
180	115	68	86	30.5	34.5	10 x M6	12	30.9	SSD-68

(1) 10.9 Class, DIN 931 (2) Tightening Torque

AFHK Gearbox Structure

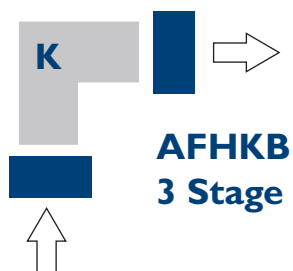
(I)



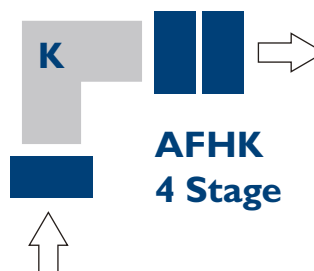
(II)



(III)



(IV)



Performance - AFHK (2-Stage) Gearbox

Model No.		Stage	Ratio ⁽¹⁾	AFHK 060	AFHK 075	AFHK 100	AFHK 140	AFHK 180	AFHK 210	AFHK 240
Nominal Output Torque T_{2N}	Nm	2	12	95	195	360	615	1,315	1,680	3,280
			16	95	200	360	615	1,320	1,680	3,280
			20	95	200	360	615	1,320	1,775	3,335
			25	80	170	310	535	1,165	1,775	3,335
			28	92	200	360	615	1,325	1,560	3,000
			35	80	170	310	535	1,170	1,775	3,340
			40	60	160	340	615	1,325	1,440	2,400
			50	50	170	310	535	1,170	1,775	3,000
			70	60	130	250	440	990	1,510	2,550
			100	24	55	160	290	655	1,005	1,685
Emergency Stop Torque T_{2NOT}	Nm	2	12~100	2 times T_{2N}						
Max. Acceleration Torque T_{2B}	Nm	2	12~100	1.5 times T_{2N}						
No Load Running Torque ⁽²⁾	Nm	2	12~100	1	1.3	2	3.1	6	13	16
Backlash ⁽³⁾	arcmin	2	12~100	≤ 3	≤ 2	≤ 2	≤ 2	≤ 2	≤ 2	≤ 2
Torsional Rigidity	Nm/arcmin	2	12~100	4.6	10	30	55	175	300	510
Nominal Input Speed n_{1N}	rpm	2	12~100	3,000	3,000	2,800	2,700	2,200	2,100	2,000
Max. Input Speed n_{1B}	rpm	2	12~100	6,000	6,000	6,000	4,500	4,500	4,000	3,000
Max. Radial Load F_{2r} ⁽⁴⁾	N	2	12~100	3,000	4,500	6,700	10,000	15,000	22,000	30,000
Max. Axial Load F_{2a} ⁽⁴⁾	N	2	12~100	1,500	2,250	3,350	5,000	7,500	11,000	15,000
Max. Tilting Moment M_{2K} ⁽⁴⁾	Nm	2	12~100	160	270	550	1,050	1,740	3,350	5,420
Operating Temp.	°C	2	12~100	-10° C~ 90° C						
Degree of Gearbox Protection		2	12~100	IP65						
Lubrication		2	12~100	Synthetic lubrication grease						
Mounting Position		2	12~100	All directions						
Running Noise ⁽⁵⁾	dB(A)	2	12~100	≤ 64	≤ 66	≤ 68	≤ 68	≤ 70	≤ 70	≤ 72
Efficiency η	%	2	12~100	≥ 94%						

(1) Ratio ($i = N_{in} / N_{out}$).

(2) These values are measured by gearbox with ratio 100 (2-stage) at 3,000 rpm no loading.

(3) Backlash is measured at 2% of Nominal Output Torque T_{2N} .

(4) Applied to the output shaft center at 100 rpm.

(5) The dB values are measured by gearbox with 100 (2-stage), no loading at 3,000 RPM or at the respective Nominal Input Speed by bigger model size.
By lower ratio and/or higher RPM, the noise level could be 3 to 5 dB higher.

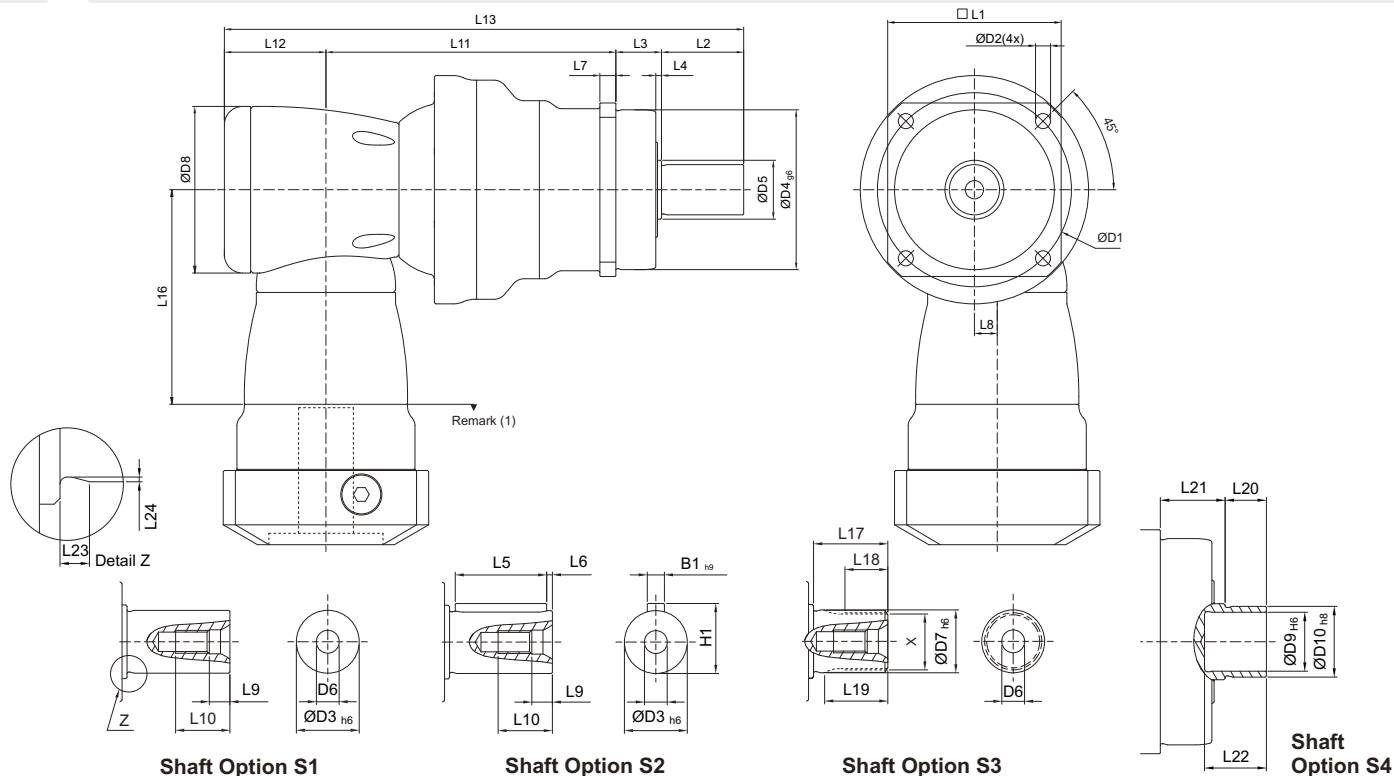
(6) 5 years warranty.

Inertia - AFHK (2-Stage) Gearbox

Model No.		AFHK 060	AFHK 075	AFHK 100	AFHK 140	AFHK 180	AFHK 210	AFHK 240
(C3) $\emptyset^{(A)}$								
8	kg.cm ²	0.1	-	-	-	-	-	-
11		0.16	0.17	-	-	-	-	-
14		0.2	0.37	0.41	-	-	-	-
19		-	0.6	1.61	1.61	-	-	-
24		-	-	3.9	4.01	5.62	-	-
28		-	-	-	5.53	5.62	-	-
32		-	-	-	7.57	8.11	8.11	-
35		-	-	-	14.95	15.32	15.32	15.68
38		-	-	-	17.58	17.72	17.72	18.52
42		-	-	-	-	22.95	22.95	23.74
48		-	-	-	-	52.74	52.74	53.49
55		-	-	-	-	-	-	87.34

(A) \emptyset = Input shaft diameter.

Dimension - AFHK (2-Stage) Gearbox (Ratio i = 12~100)



Dimension	AFHK 060	AFHK 075	AFHK 100	AFHK 140	AFHK 180	AFHK 210	AFHK 240
D1	68	85	120	165	215	250	290
D2	5.5	7	9	11	13.5	17	17
D3 h6	16	22	32	40	55	75	85
D4 g6	60	70	90	130	160	180	200
D5	18.5	25.8	36.8	55.2	69.2	82.2	92.2
D6	M5 x 0.8P	M8 x 1.25P	M12 x 1.75P	M16 x 2P	M20 x 2.5P	M20 x 2.5P	M20 x 2.5P
D7 h6	16	22	32	40	55	75	85
D8	73	94	116	163	210	210	255
D9 H6	15	20	30	40	55	-	-
D10 h8	18	24	36	50	68	-	-
L1	62	76	101	141	182	215	245
L2	28	36	58	82	82	105	130
L3	20	20	30	30	30	38	40
L4	2	2.5	3	3	3	3	3
L5	25	32	50	63	70	90	125
L6	2	2	4	5	6	7	3
L7	6	7	10	12	15	17	22
L8	10	13	17	25	31	31	36
L9	4.8	7.2	10	12	15	15	15
L10	12.5	19	28	36	42	42	42
L11	118.5	135.5	152.5	191	248	270	336
L12	44.5	53	68.3	89	115	115	131
L13	211	244.5	308.8	392	475	528	637
L16	94	114.5	129	173.5	228	228	265.5
L17	26	26	26	40	41.5	52	60
L18	15	15	15	20	21.5	28	36
L19	21	22.5	23	33.5	33.5	45	53
L20	12	14	18	22	23	-	-
L21	22	22	32	33	32	-	-
L22	19	21	25	30	30	-	-
L23	2	2.5	2.5	2.5	2.5	2.5	4
L24	0.3	0.4	0.4	0.4	0.4	0.4	0.5
B1 h9	5	6	10	12	16	20	22
H1	18	24.5	35	43	59	79.5	90
X DIN5480	W16 x 0.8 x 30 x 18 x 6m	W22 x 1.25 x 30 x 16 x 6m	W32 x 1.25 x 30 x 24 x 6m	W40 x 2 x 30 x 18 x 6m	W55 x 2 x 30 x 26 x 6m	W70 x 2 x 30 x 34 x 6m	W80 x 2 x 30 x 38 x 6m

(I) Dimensions are related to motor interface. Please contact APEX for details.

Performance - AFHKA (3-Stage) Gearbox

Model No.		Stage	Ratio ⁽¹⁾	AFHKA 240
Nominal Output Torque T_{2N}	Nm	3	100	3,800
			125	3,345
			140	3,800
			175	3,345
			200	3,800
			250	3,345
			350	3,345
			500	3,345
			700	2,555
			1,000	1,650
Emergency Stop Torque T_{2NOT}	Nm	3	100~1,000	2 times T_{2N}
Max. Acceleration Torque T_{2B}	Nm	3	100~1,000	1.5 times T_{2N}
No Load Running Torque ⁽²⁾	Nm	3	100~1,000	6
Backlash ⁽³⁾	arcmin	3	100~1,000	≤ 2
Torsional Rigidity	Nm/arcmin	3	100~1,000	510
Nominal Input Speed n_{1N}	rpm	3	100~1,000	2,100
Max. Input Speed n_{1B}	rpm	3	100~1,000	4,000
Max. Radial Load F_{2r} ⁽⁴⁾	N	3	100~1,000	30,000
Max. Axial Load F_{2a} ⁽⁴⁾	N	3	100~1,000	15,000
Max. Tilting Moment M_{2K} ⁽⁴⁾	Nm	3	100~1,000	5,420
Operating Temp.	°C	3	100~1,000	-10° C ~ 90° C
Degree of Gearbox Protection		3	100~1,000	IP65
Lubrication		3	100~1,000	Synthetic lubrication grease
Mounting Position		3	100~1,000	All directions
Running Noise ⁽⁵⁾	dB(A)	3	100~1,000	≤ 72
Efficiency η	%	3	100~1,000	$\geq 92\%$

(1) Ratio ($i = N_{in} / N_{out}$).

(2) These values are measured by gearbox with ratio 1,000 (3-stage) at 3,000 rpm no loading.

(3) Backlash is measured at 2% of Nominal Output Torque T_{2N} .

(4) Applied to the output shaft center at 100 rpm.

(5) The dB values are measured by gearbox with 1,000 (3-stage), no loading at 3,000 RPM or at the respective Nominal Input Speed by bigger model size.
By lower ratio and/or higher RPM, the noise level could be 3 to 5 dB higher.

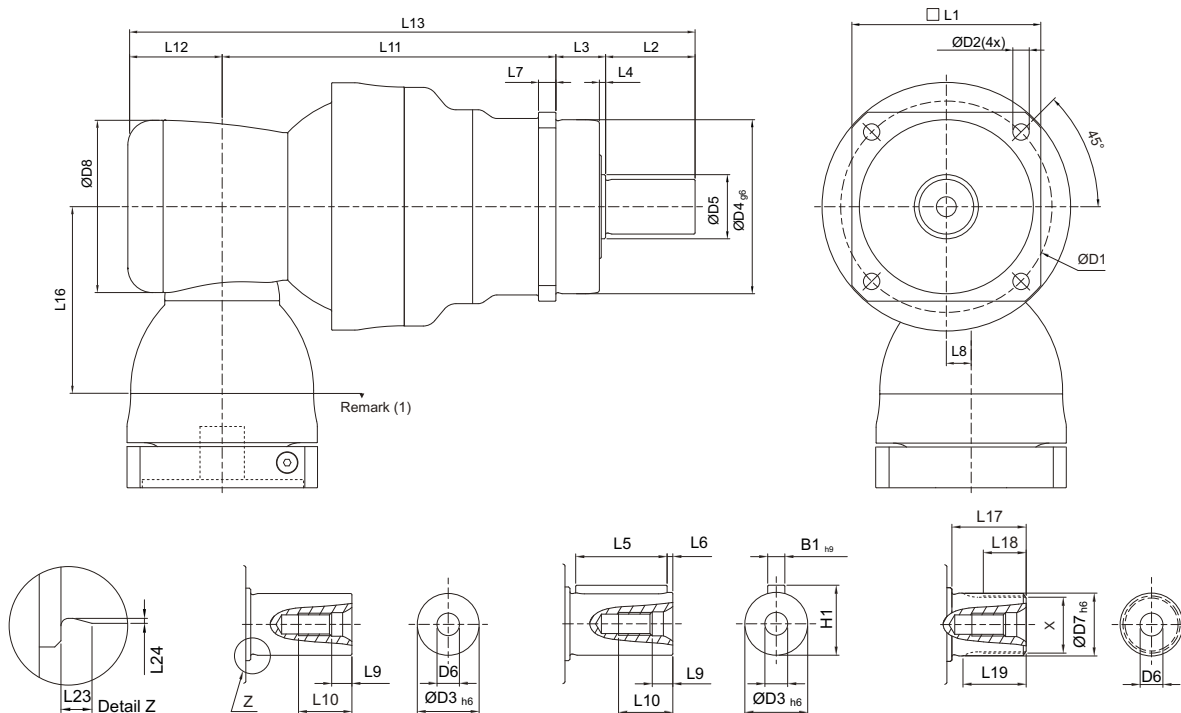
(6) 5 years warranty.

Inertia - AFHKA (3-Stage) Gearbox

Model No.		AFHKA 240
(C3) \emptyset ^(A)		
32	kg.cm ²	8.11
35		15.32
38		17.72
42		22.95
48		52.74

(A) \emptyset = Input shaft diameter.

Dimension - AFHKA (3-Stage) Gearbox (Ratio i = 100~1,000)



Shaft Option S1

Shaft Option S2

Shaft Option S3

Dimension	AFHKA 240
D1	290
D2	17
D3 h6	85
D4 g6	200
D5	92.2
D6	M20 x 2.5P
D7 h6	85
D8	210
L1	245
L2	130
L3	40
L4	3
L5	125
L6	3
L7	22
L8	31
L9	15
L10	42
L11	378
L12	115
L13	663
L16	228
L17	60
L18	36
L19	53
L23	4
L24	0.5
B1 h9	22
H1	90
X DIN5480	W80 x 2 x 30 x 38 x 6m

(1) Dimensions are related to motor interface. Please contact APEX for details.

Performance - AFHKB (3-Stage) Gearbox

Model No.	Stage	Ratio ⁽¹⁾	AFHKB 075	AFHKB 100	AFHKB 140	AFHKB 180	AFHKB 210	AFHKB 240	
Nominal Output Torque T_{2N}	Nm	3	48	-	-	-	-	-	3,280
			64	200	360	615	1,325	1,680	3,280
			84	200	360	620	1,325	1,680	-
			100	200	360	620	1,330	1,780	3,345
			125	170	310	535	1,170	1,780	3,345
			140	200	360	620	1,330	1,780	3,345
			175	170	310	535	1,170	1,780	3,345
			200	200	360	620	1,330	1,780	3,345
			250	170	310	535	1,170	1,780	3,345
			280	200	360	620	1,330	1,510	3,000
			350	170	310	535	1,170	1,775	3,345
			400	160	340	620	1,330	1,440	2,400
			500	170	310	535	1,170	1,780	3,000
700	130	250	440	990	1,510	2,555			
1,000	55	160	290	640	980	1,655			
Emergency Stop Torque T_{2NOT}	Nm	3	48~1,000	2 times T_{2N}					
Max. Acceleration Torque T_{2B}	Nm	3	48~1,000	1.5 times T_{2N}					
No Load Running Torque ⁽²⁾	Nm	3	48~1,000	0.2	0.2	0.3	0.4	1	1.2
Backlash ⁽³⁾	arcmin	3	48~1,000	≤ 2	≤ 2	≤ 2	≤ 2	≤ 2	≤ 2
Torsional Rigidity	Nm/arcmin	3	48~1,000	10	30	55	175	300	510
Nominal Input Speed n_{1N}	rpm	3	48~1,000	5,500	4,600	4,600	4,000	3,700	3,400
Max. Input Speed n_{1B}	rpm	3	48~1,000	7,000	7,000	7,000	6,000	5,500	5,000
Max. Radial Load F_{2r} ⁽⁴⁾	N	3	48~1,000	4,500	6,700	10,000	15,000	22,000	30,000
Max. Axial Load F_{2a} ⁽⁴⁾	N	3	48~1,000	2,250	3,350	5,000	7,500	11,000	15,000
Max. Tilting Moment M_{2K} ⁽⁴⁾	Nm	3	48~1,000	270	550	1,050	1,740	3,350	5,420
Operating Temp.	°C	3	48~1,000	-10° C ~ 90° C					
Degree of Gearbox Protection		3	48~1,000	IP65					
Lubrication		3	48~1,000	Synthetic lubrication grease					
Mounting Position		3	48~1,000	All directions					
Running Noise ⁽⁵⁾	dB(A)	3	48~1,000	≤ 66	≤ 68	≤ 68	≤ 70	≤ 70	≤ 72
Efficiency η	%	3	48~1,000	≥ 92%					

(1) Ratio ($i = N_{in} / N_{out}$).

(2) These values are measured by gearbox with ratio 1,000 (3-stage) at 3,000 rpm no loading.

(3) Backlash is measured at 2% of Nominal Output Torque T_{2N} .

(4) Applied to the output shaft center at 100 rpm.

(5) The dB values are measured by gearbox with 1,000 (3-stage), no loading at 3,000 RPM or at the respective Nominal Input Speed by bigger model size.
By lower ratio and/or higher RPM, the noise level could be 3 to 5 dB higher.

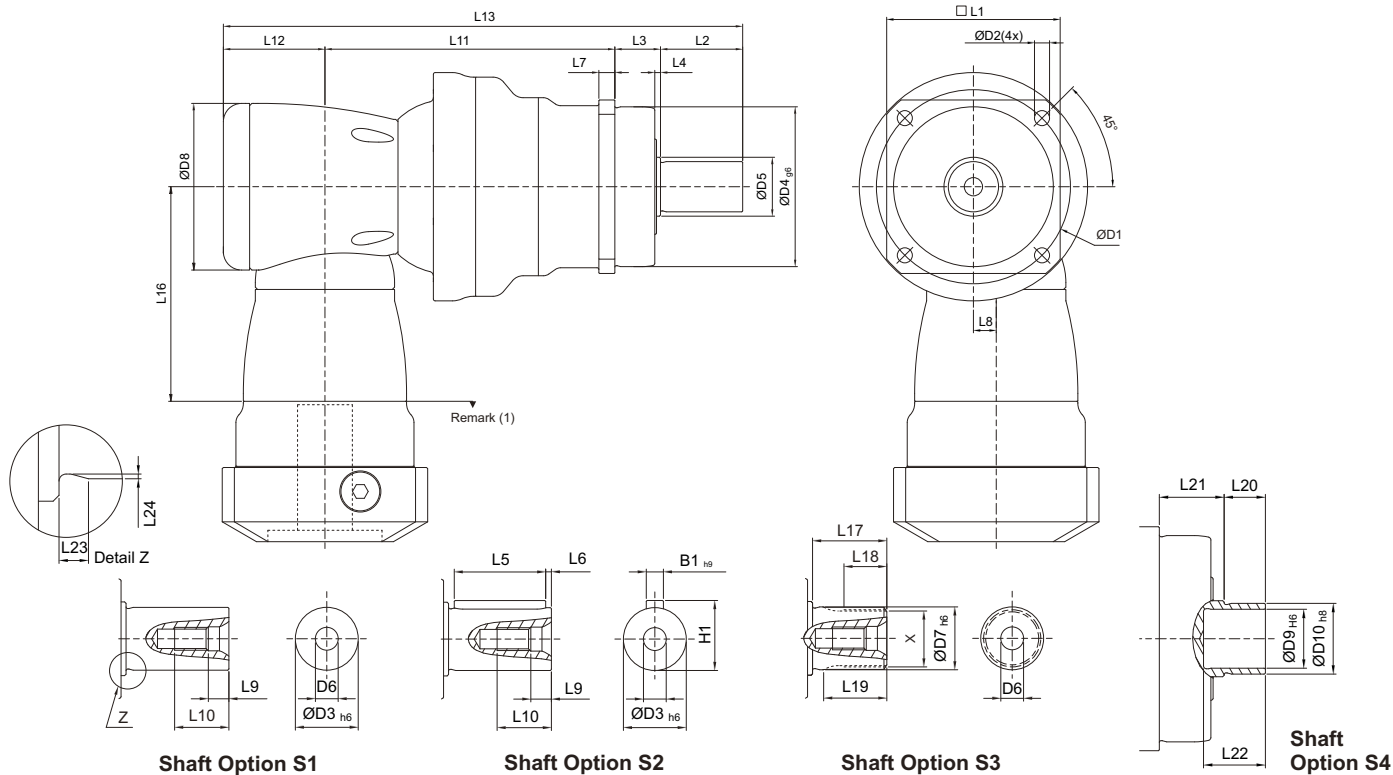
(6) 5 years warranty.

Inertia - AFHKB (3-Stage) Gearbox

Model No.	AFHKB 075	AFHKB 100	AFHKB 140	AFHKB 180	AFHKB 210	AFHKB 240
(C3) $\emptyset^{(A)}$						
8	0.17	-	-	-	-	-
11	0.17	0.42	-	-	-	-
14	0.21	0.42	1.83	-	-	-
19	-	0.66	1.83	4.61	-	-
24	-	-	4.11	4.61	4.61	-
28	-	-	-	6.14	6.14	-
32	-	-	-	8.17	8.17	10.55
35	-	-	-	15.56	15.56	17.76
38	-	-	-	18.19	18.19	20.17
42	-	-	-	-	23.2	25.4
48	-	-	-	-	52.42	55.18

(A) \emptyset = Input shaft diameter.

Dimension - AFHKB (3-Stage) Gearbox (Ratio i = 48~1,000)



Dimension	AFHKB 075	AFHKB 100	AFHKB 140	AFHKB 180	AFHKB 210	AFHKB 240
D1	85	120	165	215	250	290
D2	7	9	11	13.5	17	17
D3 h6	22	32	40	55	75	85
D4 g6	70	90	130	160	180	200
D5	25.8	36.8	55.2	69.2	82.2	92.2
D6	M8 x 1.25P	M12 x 1.75P	M16 x 2P	M20 x 2.5P	M20 x 2.5P	M20 x 2.5P
D7 h6	22	32	40	55	75	85
D8	94	116	163	210	210	255
D9 H6	20	30	40	55	-	-
D10 h8	24	36	50	68	-	-
L1	76	101	141	182	215	245
L2	36	58	82	82	105	130
L3	20	30	30	30	38	40
L4	2.5	3	3	3	3	3
L5	32	50	63	70	90	125
L6	2	4	5	6	7	3
L7	7	10	12	15	17	22
L8	13	17	25	31	31	36
L9	7.2	10	12	15	15	15
L10	19	28	36	42	42	42
L11	135.5	152.5	191	248	270	336
L12	53	68.3	89	115	115	131
L13	244.5	308.8	392	475	528	637
L16	114.5	129	173.5	228	228	265.5
L17	26	26	40	41.5	52	60
L18	15	15	20	21.5	28	36
L19	22.5	23	33.5	33.5	45	53
L20	14	18	22	23	-	-
L21	22	32	33	32	-	-
L22	21	25	30	30	-	-
L23	2.5	2.5	2.5	2.5	2.5	4
L24	0.4	0.4	0.4	0.4	0.4	0.5
B1 h9	6	10	12	16	20	22
H1	24.5	35	43	59	79.5	90
× DIN5480	W22 x 1.25 x 30 x 16 x 6m	W32 x 1.25 x 30 x 24 x 6m	W40 x 2 x 30 x 18 x 6m	W55 x 2 x 30 x 26 x 6m	W70 x 2 x 30 x 34 x 6m	W80 x 2 x 30 x 38 x 6m

(I) Dimensions are related to motor interface. Please contact APEX for details.

Performance - AFHK (4-Stage) Gearbox

Model No.		Stage	Ratio ⁽¹⁾	AFHK 240
Nominal Output Torque T_{2N}	Nm	4	1,225	3,350
			1,400	3,800
			1,750	3,350
			2,000	3,800
			2,800	2,555
			3,500	3,350
			5,000	3,350
			7,000	2,625
			10,000	1,975
Emergency Stop Torque T_{2NOT}	Nm	4	1,225~10,000	2 times T_{2N}
Max. Acceleration Torque T_{2B}	Nm	4	1,225~10,000	1.5 times T_{2N}
No Load Running Torque ⁽²⁾	Nm	4	1,225~10,000	0.4
Backlash ⁽³⁾	arcmin	4	1,225~10,000	≤ 2
Torsional Rigidity	Nm/arcmin	4	1,225~10,000	510
Nominal Input Speed n_{1N}	rpm	4	1,225~10,000	3,700
Max. Input Speed n_{1B}	rpm	4	1,225~10,000	5,500
Max. Radial Load F_{2r} ⁽⁴⁾	N	4	1,225~10,000	30,000
Max. Axial Load F_{2a} ⁽⁴⁾	N	4	1,225~10,000	15,000
Max. Tilting Moment M_{2K} ⁽⁴⁾	Nm	4	1,225~10,000	5,420
Operating Temp.	°C	4	1,225~10,000	-10° C~ 90° C
Degree of Gearbox Protection		4	1,225~10,000	IP65
Lubrication		4	1,225~10,000	Synthetic lubrication grease
Mounting Position		4	1,225~10,000	All directions
Running Noise ⁽⁵⁾	dB(A)	4	1,225~10,000	≤ 72
Efficiency η	%	4	1,225~10,000	$\geq 90\%$

(1) Ratio ($i = N_{in} / N_{out}$).

(2) These values are measured by gearbox with ratio 10,000 (4-stage) at 3,000 rpm no loading.

(3) Backlash is measured at 2% of Nominal Output Torque T_{2N} .

(4) Applied to the output shaft center at 100 rpm.

(5) The dB values are measured by gearbox with 10,000 (4-stage), no loading at 3,000 RPM or at the respective Nominal Input Speed by bigger model size. By lower ratio and/or higher RPM, the noise level could be 3 to 5 dB higher.

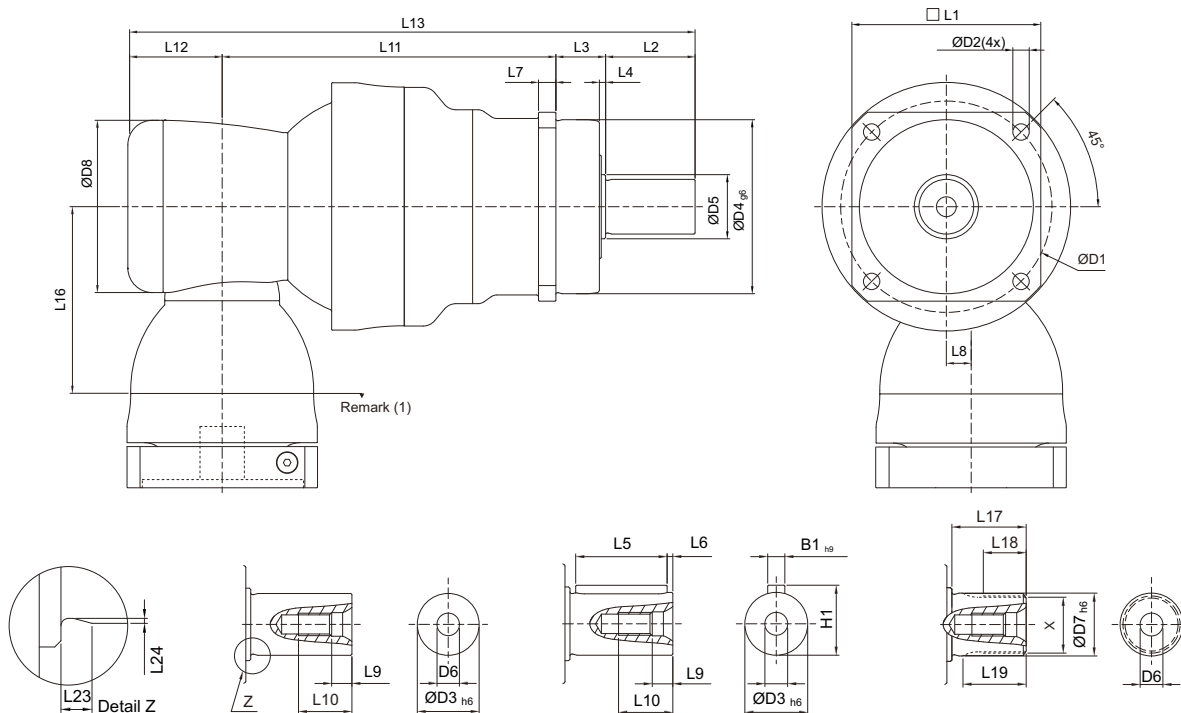
(6) 5 years warranty.

Inertia - AFHK (4-Stage) Gearbox

Model No.		AFHK 240
(C3) \emptyset ^(A)		
24	kg.cm ²	4.61
28		6.14
32		8.17
35		15.56
38		18.19

(A) \emptyset = Input shaft diameter.

Dimension - AFHK (4-Stage) Gearbox (Ratio $i = 1,225 \sim 10,000$)



Shaft Option S1

Shaft Option S2

Shaft Option S3

Dimension		AFHK 240
D1		290
D2		17
D3	h6	85
D4	g6	200
D5		92.2
D6		M20 × 2.5P
D7	h6	85
D8		210
L1		245
L2		130
L3		40
L4		3
L5		125
L6		3
L7		22
L8		31
L9		15
L10		42
L11		378
L12		115
L13		663
L16		228
L17		60
L18		36
L19		53
L23		4
L24		0.5
B1	h9	22
H1		90
X	DIN5480	VW80 × 2 × 30 × 38 × 6m

(1) Dimensions are related to motor interface. Please contact APEX for details.

Performance - AFHKC Gearbox

Model No.		Stage	Ratio ⁽¹⁾	AFHKC 060	AFHKC 075	AFHKC 100	AFHKC 140	AFHKC 180	AFHKC 210	AFHKC 240
Nominal Output Torque T_{2N}	Nm	2	4	95	195	355	605	1,300	1,975	3,750
			5	80	165	305	525	1,150	1,755	3,305
			7	60	130	250	440	985	1,500	2,535
			8	95	195	360	610	1,315	1,995	3,785
			10	80	165	310	530	1,160	1,765	3,325
Emergency Stop Torque T_{2NOT}	Nm	2	4~10	2 times T_{2N}						
Max. Acceleration Torque T_{2B}	Nm	2	4~10	1.5 times T_{2N}						
No Load Running Torque ⁽²⁾	Nm	2	4~10	2	2.5	5.8	12	25	48	95
Backlash ⁽³⁾	arcmin	2	4~10	≤ 3	≤ 2	≤ 2	≤ 2	≤ 2	≤ 2	≤ 2
Torsional Rigidity	Nm/arcmin	2	4~10	4.6	10	30	55	175	300	510
Nominal Input Speed n_{1N}	rpm	2	4~10	5,000	3,600	3,000	2,300	1,800	1,500	1,100
Max. Input Speed n_{1B}	rpm	2	4~10	7,000	6,000	5,500	4,500	3,500	3,000	2,200
Max. Radial Load F_{2r} ⁽⁴⁾	N	2	4~10	3,000	4,500	6,700	10,000	15,000	22,000	30,000
Max. Axial Load F_{2a} ⁽⁴⁾	N	2	4~10	1,500	2,250	3,350	5,000	7,500	11,000	15,000
Max. Tilting Moment M_{2K} ⁽⁴⁾	Nm	2	4~10	160	270	550	1,050	1,740	3,350	5,420
Operating Temp.	°C	2	4~10	-10° C ~ 90° C						
Degree of Gearbox Protection		2	4~10	IP65						
Lubrication		2	4~10	Synthetic lubrication grease						
Mounting Position		2	4~10	All directions						
Running Noise ⁽⁵⁾	dB(A)	2	4~10	≤ 68	≤ 68	≤ 68	≤ 70	≤ 70	≤ 72	≤ 74
Efficiency η	%	2	4~10	≥ 95%						

(1) Ratio ($i = N_{in} / N_{out}$).

(2) These values are measured by gearbox with ratio 10 (2-stage) at 3,000 rpm no loading.

(3) Backlash is measured at 2% of Nominal Output Torque T_{2N} .

(4) Applied to the output shaft center at 100 rpm.

(5) The dB values are measured by gearbox with 10 (2-stage), no loading at 3,000 RPM or at the respective Nominal Input Speed by bigger model size.
By lower ratio and/or higher RPM, the noise level could be 3 to 5 dB higher.

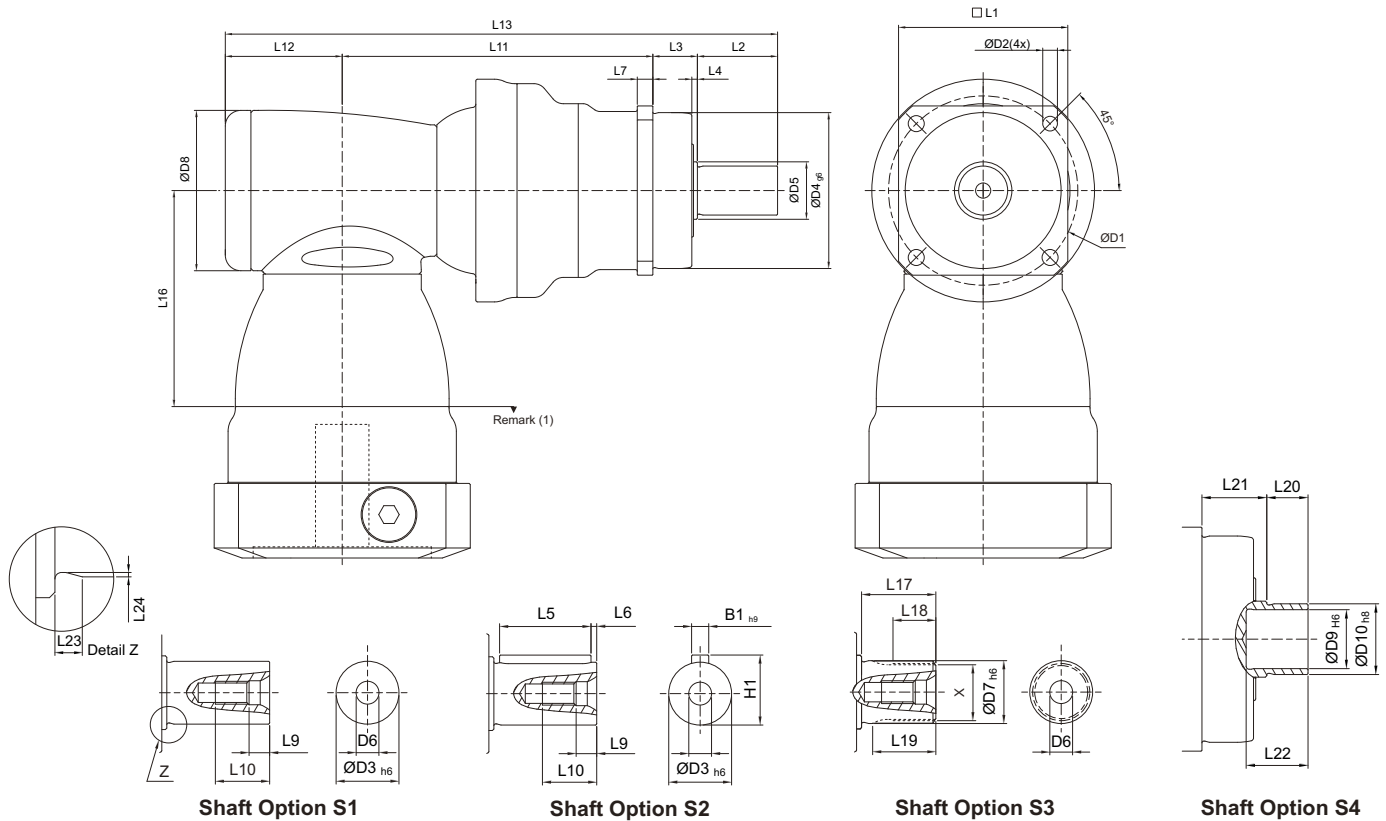
(6) 5 years warranty.

Inertia - AFHKC Gearbox

Model No.		AFHKC 060	AFHKC 075	AFHKC 100	AFHKC 140	AFHKC 180	AFHKC 210	AFHKC 240
(C3) $\emptyset^{(A)}$								
8	kg.cm ²	0.1	-	-	-	-	-	-
11		0.16	0.41	-	-	-	-	-
14		0.20	0.41	-	-	-	-	-
19		0.58	1.61	1.61	-	-	-	-
24		-	3.9	4.01	5.62	-	-	-
28		-	-	5.53	5.62	-	-	-
32		-	-	7.57	8.11	8.11	-	-
35		-	-	14.95	15.32	15.32	15.68	19.37
38		-	-	17.58	17.72	17.72	18.52	19.37
42		-	-	-	22.95	22.95	23.74	25.5
48		-	-	-	52.74	52.74	53.49	55.14
55		-	-	-	-	-	87.34	89.59
60		-	-	-	-	-	-	113.06

(A) \emptyset = Input shaft diameter.

Dimension - AFHKC Gearbox (Ratio i = 4~10)



Dimension	AFHKC 060	AFHKC 075	AFHKC 100	AFHKC 140	AFHKC 180	AFHKC 210	AFHKC 240
D1	68	85	120	165	215	250	290
D2	5.5	7	9	11	13.5	17	17
D3 h6	16	22	32	40	55	75	85
D4 g6	60	70	90	130	160	180	200
D5	18.5	25.8	36.8	55.2	69.2	82.2	92.2
D6	M5 x 0.8P	M8 x 1.25P	M12 x 1.75P	M16 x 2P	M20 x 2.5P	M20 x 2.5P	M20 x 2.5P
D7 h6	16	22	32	40	55	75	85
D8	64	92	116	156	156	195	240
D9 H6	15	20	30	40	55	-	-
D10 h8	18	24	36	50	68	-	-
L1	62	76	101	141	182	215	245
L2	28	36	58	82	82	105	130
L3	20	20	30	30	30	38	40
L4	2	2.5	3	3	3	3	3
L5	25	32	50	63	70	90	125
L6	2	2	4	5	6	7	3
L7	6	7	10	12	15	17	22
L9	4.8	7.2	10	12	15	15	15
L10	12.5	19	28	36	42	42	42
L11	121.5	145.5	163	219	258	277.5	352
L12	46.5	61.5	76	97.5	97.5	105.5	141
L13	216	263	327	428.5	467.5	526	663
L16	81.5	113.5	147.5	196.5	196.5	229	260
L17	26	26	26	40	41.5	52	60
L18	15	15	15	20	21.5	28	36
L19	21	22.5	23	33.5	33.5	45	53
L20	12	14	18	22	23	-	-
L21	22	22	32	33	32	-	-
L22	19	21	25	30	30	-	-
L23	2	2.5	2.5	2.5	2.5	2.5	4
L24	0.3	0.4	0.4	0.4	0.4	0.4	0.5
B1 h9	5	6	10	12	16	20	22
H1	18	24.5	35	43	59	79.5	90
X DIN5480	W16 x 0.8 x 30 x 18 x 6m	W22 x 1.25 x 30 x 16 x 6m	W32 x 1.25 x 30 x 24 x 6m	W40 x 2 x 30 x 18 x 6m	W55 x 2 x 30 x 26 x 6m	W70 x 2 x 30 x 34 x 6m	W80 x 2 x 30 x 38 x 6m

(I) Dimensions are related to motor interface. Please contact APEX for details.

Note

Note



**APEX TAIWAN NORTH
ANDTEK AUTOMATION CO.,LTD**
TEL +886-02-82262655
13F-5, No.2, Jian 8th Rd., Jhonghe Dist., New
Taipei City 235, TAIWAN
sales@andtek.com.tw
www.apexdyna.com



**APEX TAIWAN CENTRAL
ANDTEK AUTOMATION CO.,LTD**
TEL +886-04-23594286
9F-6, No.925, Sec.4, Taiwan Blvd., Xitun Dist.
Taichung City 407 TAIWAN
sales@andtek.com.tw
www.apexdyna.com



**APEX TAIWAN SOUTH
MEN JENN ELECTRIC CO., LTD.**
TEL +886-06-2337332 ~ 6
No.774, Zhonghua Rd., Yongkang Dist., Tainan
City 710, TAIWAN
menjenn@ms24.hinet.net
www.apexdyna.com



APEX DYNAMICS INC. SHANGHAI
TEL +86-21-69220577
No.128 ZHUYING Road QINGPU Industry Area,
Shanghai, CHINA
sales@apexdyna.cn
www.apexdyna.cn



APEX DYNAMICS SHENZHEN, LTD.
TEL +86-755-84516325
No. 1102A of D area , CFG mansion ,Bao Yuan
Road , Bao'an District , Shenzhen ,CHINA.
sales@szapexdyna.com
www.szapexdyna.com



APEX DYNAMICS BEIJING, LTD.
TEL +86-10-69570691
NO.1,YaoPingRoad,SongZhuang Town, Tongzhou
istrict, Beijing, CHINA.
bjapexdyna@163.com
www.bjapex.cn



CHONGQING APEX DYNAMICS CO., LTD.
TEL +86-23-67686860
406, Building 5, No.68, Jinyu Avenue, Beibu New
Area, Chongqing, CHINA
sales@cqapexdyna.com
www.apexdyna.com



APEX (XIAMEN) DYNAMICS TECHNOLOGY CO., LTD.
TEL +86-0592-720-5279
Unit B-3,1F.,No.129,Jingquan Road, Jimei District,
Xiamen, Fujian, CHINA
sales@xmapexdyna.com
www.xmapexdyna.com



APEX DYNAMICS USA, INC.
TEL +1-631-2449040
885 Marconi Avenue Ronkonkoma, NY 11779
U.S.A.
sales@apexdynamicsusa.com
www.apexdynamicsusa.com



APEX DYNAMICS KOREA
TEL +82-31-8179992
1246-32, Seongsuk-dong, Ilsandong-gu, Goyang-city,
Gyeonggi-Do, KOREA (R.O.K) 410-570
sales@apexdynakorea.co.kr
www.apexdynakorea.co.kr



APEX DYNAMICS JAPAN
TEL +81-092-4511202
1-13-3, Sannou, Hakata-ku, Fukuoka-Shi 812-0015,
JAPAN
sales@apexdyna.jp
www.apexdyna.jp



APEX DYNAMICS SINGAPORE PTE LTD
TEL +65-62-626228
3 South Buona Vista Road, #05-15 & #06-15.
SINGAPORE 118136
sales@apexdyna.com.sg
www.apexdyna.com.sg



APEX DYNAMICS (THAILAND) CO., LTD.
TEL +66-2-3266233
73 Soi Ladkrabang 30, Kadkrabang Rd.,Bangkok
10520, THAILAND
sales@apexdyna.co.th
www.apexdyna.co.th



APEX DYNAMICS BV
TEL +31-492-509995
Churchillaan 101 5705 BK Helmond, NETHERLANDS
sales@apexdyna.nl
www.apexdyna.nl



**APEX DYNAMICS
POLSKA SP. Z O.O.**
TEL +48-12-6304728
Krakowska 50, 32-083 Balice, POLAND
sales@apexdyna.pl
www.apexdyna.pl



APEX DYNAMICS SPAIN, S.L.
TEL +34-93-6562990
Poligono Industrial Moli dels Freres, Calle Cnº
3 South Buona Vista Road, #05-15 & #06-15.
SINGAPORE 118136
sales@apexdyna.com.sg
www.apexdyna.com.sg



LIMAN TRADING LIMITED FZC LLC
P.O. Box 97 , Postal Code 322, Corporate Parks,
Sohar Free Zoon, Oman



APEKS REDUKTOR VE DISLI SAN. TIC. LTD. STI.
TEL +90-232-4589960
10042 Sok.No:10 AOSB Çiğli-İzmir, TURKEY
sales@apexdyna.com.tr
www.apexdyna.com.tr



APEX DYNAMICS AUSTRALIA PTY LTD.
TEL +613-95-852739
36 Taunton Drive, Cheltenham, Victoria 3192
AUSTRALIA.
sales@apexdyna.com.au
www.apexdyna.com.au



APEX DYNAMICS (I) JV
TEL +91-80-55345541
GAT NO. 279, KHED SHIVAPUR BAUG, TALUKA
HAVELI PUNE - 412205 INDIA.
sales@apexdyna.co.in
www.apexdyna.co.in



APEX DYNAMICS FRANCE SAS
TEL +33-160-135097
11 - Burospace F - 91570 -
Bièvres, FRANCE
info@apexdyna.fr
www.apexdyna.fr



APEX DYNAMICS SWEDEN AB
TEL +46-75-242444
Fredrikbergsgatan 2 SE-573 92 Tranås, SWEDEN
sales@apexdyna.se
www.apexdyna.se



PT.APEX DYNAMICS INDONESIA
TEL +62 21 2928 3681
Rukan Aralia Blok HY43 no.11, Harapan Indah II,
Bekasi - Jawa Barat, INDONESIA 17214
sales@apexdyna.co.id
www.apexdyna.co.id



APEX DYNAMICS GERMANY GMBH
TEL +49-7181-9329955
Spanninger Str. 9, 73650 Winterbach, GERMANY
Langer@apexdynamics.de
www.apexdynamics.de



APEX DYNAMICS CZECH S.R.O.
TEL +420-577-663877
tř. Tomáše Bati 1851 765 02 Otrokovice ČESKÁ
REPUBLIKA
info@apexdynaczech.cz
www.apexdynaczech.cz



APEX DYNAMICS РОССИЯ
TEL +7-495-2255452
+7-495-6462422
г.Москва, ул. Южнопортовая, дом 7, строение
"С", 3-й этаж
info@apexdynarussia.ru
www.apexdynarussia.ru



APEX DYNAMICS UK
TEL +44-0121-737-1170
Heath House, Cheadle Rd, Uttoxeter,
ST14 7BY, UK
mikeg@apexdynauk.com
www.apexdynauk.com



APEX DYNAMICS SWITZERLAND AG
TEL +41-55-4517020 Talstrasse 24, CH-8852
Altendorf, SWITZERLAND
info@apexdyna.ch
www.apexdyna.ch



APEX DYNAMICS MOTION SDN BHD
TEL +60 7237 1055
No.1, Jalan Perniagaan Setia 3, Taman
Perniagaan Setia, 81100 Johor Bahru, Johor,
MALAYSIA (Setia Business Park 2 @ Iskandar
Malaysia)
sales@apexdyna.com.sg
www.apexdyna.com.sg



APEX DYNAMICS BRAZIL
TEL +55-47-30298700
Rua Senador Petrônio Portela, 47 - Bloco 5, Zona
Industrial Norte - CEP 89218-575 - Joinville (SC)
lucan@neoyama.com.br
adriano.duarte@neoyama.com.br
www.neoyama.com.br



APEX DYNAMICS ITALY
TEL +39 02.36634521
VIA E. DE AMICIS, 2 – 20091 BRESSO (MI)
info@apexdynamics.it
www.apexdynamics.it



APEX DYNAMICS, INC.

No. 10, Keyuan 3rd Rd., Situn District, Taichung City 40763, Taiwan (R.O.C.)
Tel:886-4-24650219 | Fax:886-4-24650118
sales@apexdyna.com | http://www.apexdyna.com

